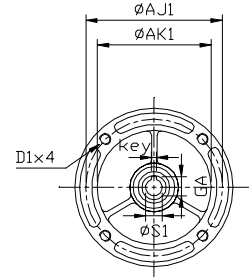
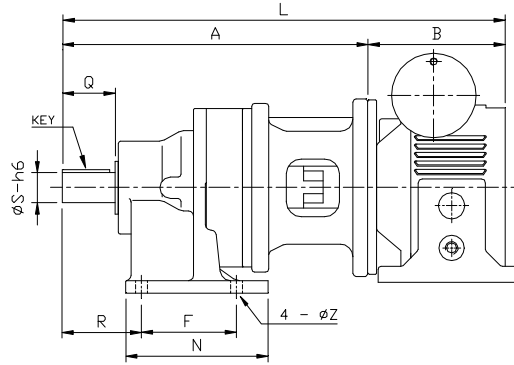
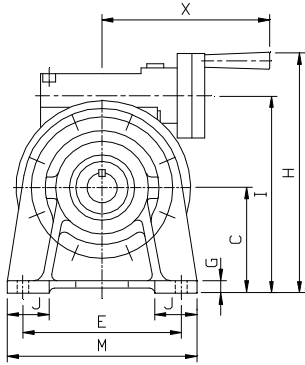


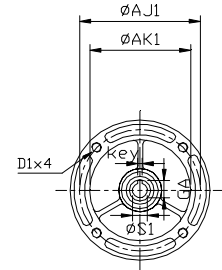
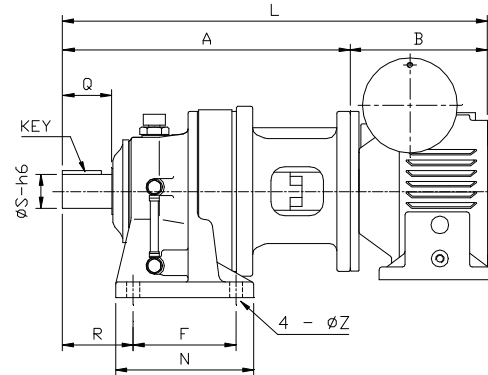
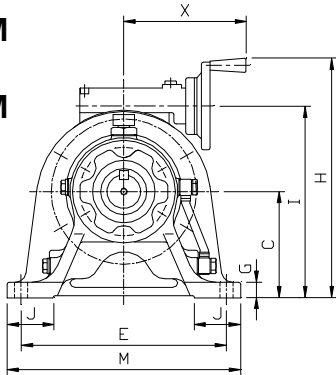
PRODUCT SPECIFICATION - ACM

Variator w/ Single Stage Cycloidal Reducer Output

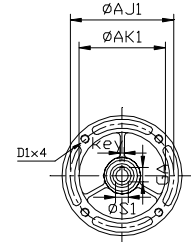
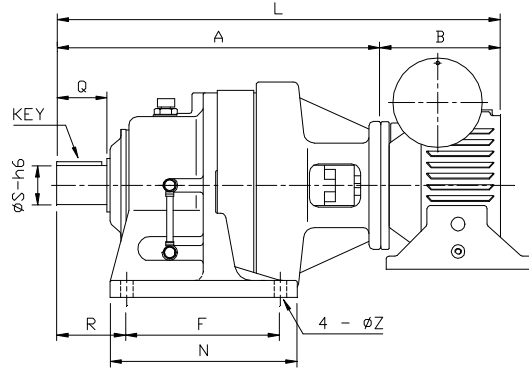
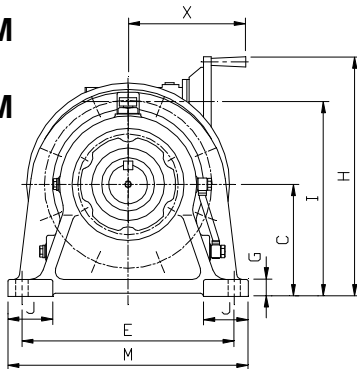
**B10 --- ACM
&
B11 --- ACM**



**B13 --- ACM
&
B14 --- ACM**



**B16 --- ACM
&
B17 --- ACM**

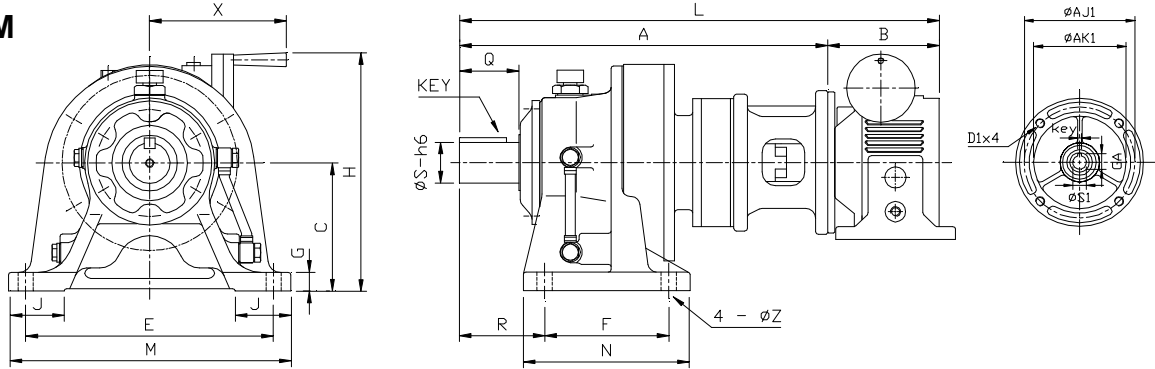


Frame Size	Dimension in mm														Dimension in inch					Wt. (lb)					
	A	B	C	E	F	G	H	I	J	L	M	N	R	X	Z	IEC D-Flange Adapter					Slow Speed Shaft				
																D1	AJ1	AK1	S1		GA	key	S	Q	KEY
B10-05ACM			100	150	90	17	228	187	40		180	135	75	160	11	M8	130	110	14	16.5	5	1.125	1.97	1/4 x 1/4	
B10-1ACM			100	150	90	17	242	202	40		180	135	75	160	11	M10	165	130	19	22.4	6	1.125	1.97	1/4 x 1/4	
B11-1ACM			120	190	115	21	262	222	55		230	155	82	160	14	M10	165	130	19	22.4	6	1.500	2.17	3/8 x 3/8	
B13-2ACM			150	290	145	27	338	271	65		330	195	100	172	18	M10	165	130	24	28	8	1.875	2.76	1/2 x 1/2	
B13-3ACM			150	290	145	27	378	298	65		330	195	100	210	18	M12	215	180	28	31	8	1.875	2.76	1/2 x 1/2	
B14-3ACM			150	290	145	27	378	298	65		330	195	120	210	18	M12	215	180	28	31	8	1.875	3.54	1/2 x 1/2	
B16-3ACM			160	370	150	30	388	308	75		410	238	139	210	18	M12	215	180	28	31	8	2.250	3.54	1/2 x 1/2	
B16-5ACM			160	370	150	30	388	308	75		410	238	139	210	18	M12	215	180	28	31	8	2.250	3.54	1/2 x 1/2	
B17-5ACM			200	380	275	32	428	348	80		430	335	125	210	22	M12	215	180	28	31	8	2.750	3.54	5/8 x 5/8	

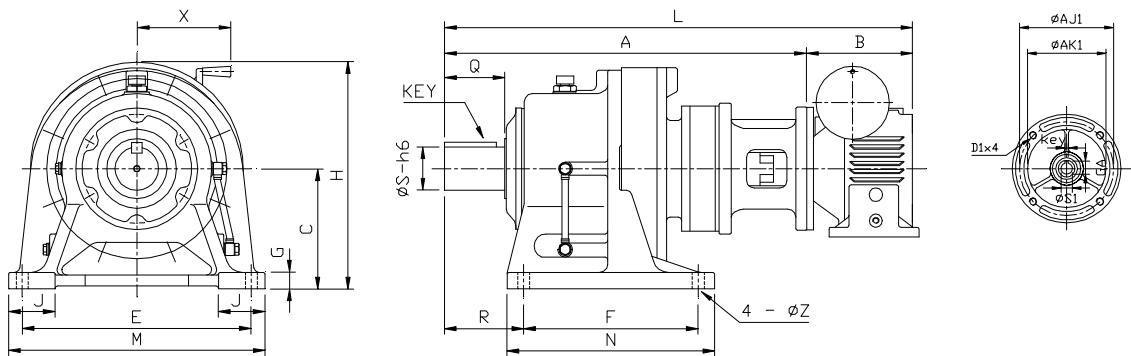
PRODUCT SPECIFICATION - ACM

Variator w/ Double Stage Cycloidal Reducer Output

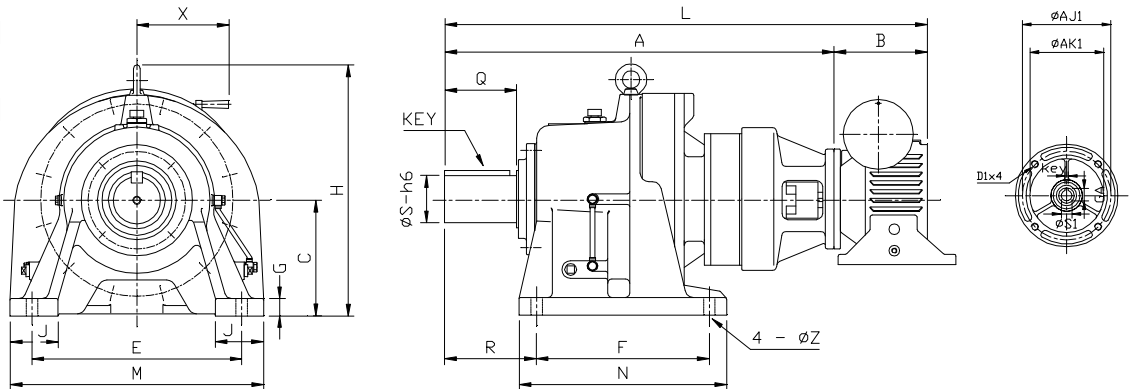
B1310 --- ACM



B1611 --- ACM & B1813 --- ACM



B2013 --- ACM & B2116 --- ACM



Frame Size	Dimension in mm														Dimension in inch						Wt. (lb)			
	A	B	C	E	F	G	H	I	J	L	M	N	R	X	Z	IEC D-Flange Adapter			Slow Speed Shaft					
																D1	AJ1	AK1	S1	GA		key	S	Q
B1310-05ACM			150	290	145	27		-	65		330	195	100	160	18	M8	130	110	14	16.5	5	1.875	2.76	1/2 x 1/2
B1611-1ACM			160	370	150	30		-	75		410	238	139	160	18	M10	165	130	19	22.4	6	2.250	3.54	1/2 x 1/2
B1813-2ACM			220	420	320	33		-	85		470	380	145	172	22	M10	165	130	24	28	8	3.125	4.33	3/4 x 3/4
B1813-3ACM			220	420	320	33		-	85		470	380	145	210	22	M12	215	180	28	31	8	3.125	4.33	3/4 x 3/4
B2013-3ACM			250	440	360	40		-	100		530	440	215	210	26	M12	215	180	28	31	8	3.875	6.50	1 x 1
B2116-5ACM			265	480	395	42		-	110		580	475	210	210	26	M12	215	180	28	31	8	4.250	6.50	1 x 1