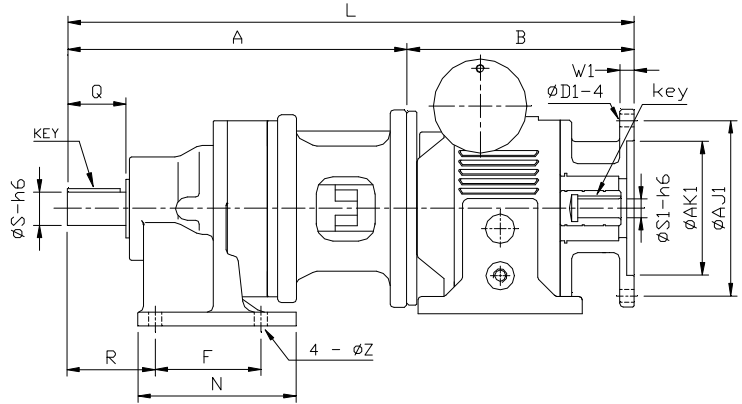
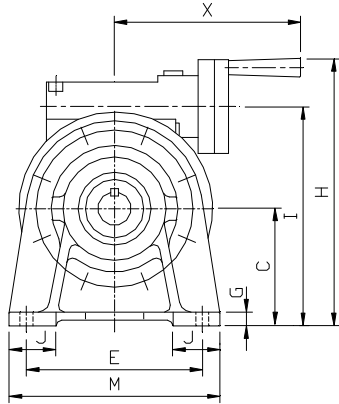


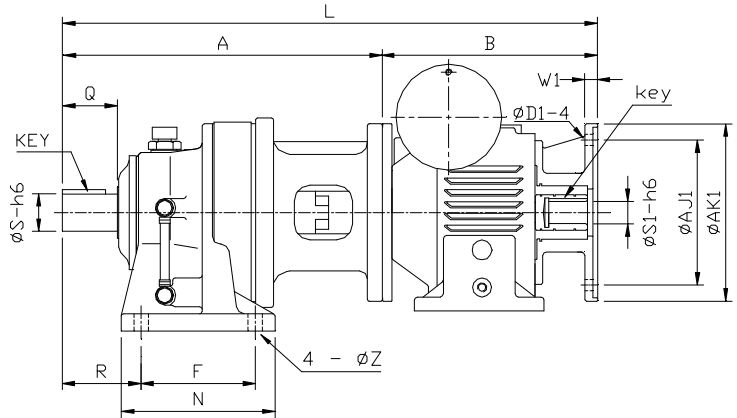
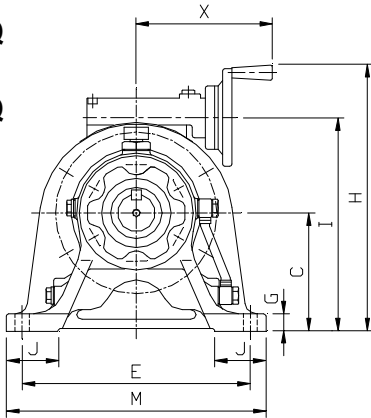
PRODUCT SPECIFICATION - ACQ

Variator w/ Single Stage Cycloidal Reducer Output

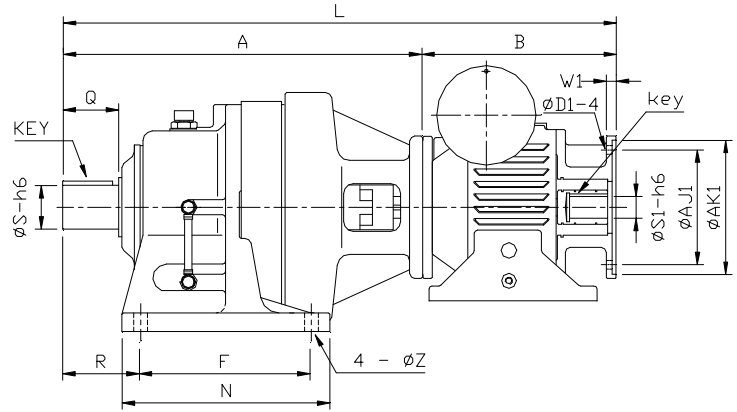
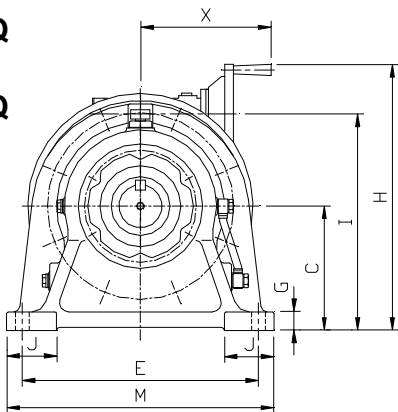
**B10 --- ACQ
&
B11 --- ACQ**



**B13 --- ACQ
&
B14 --- ACQ**



**B16 --- ACQ
&
B17 --- ACQ**

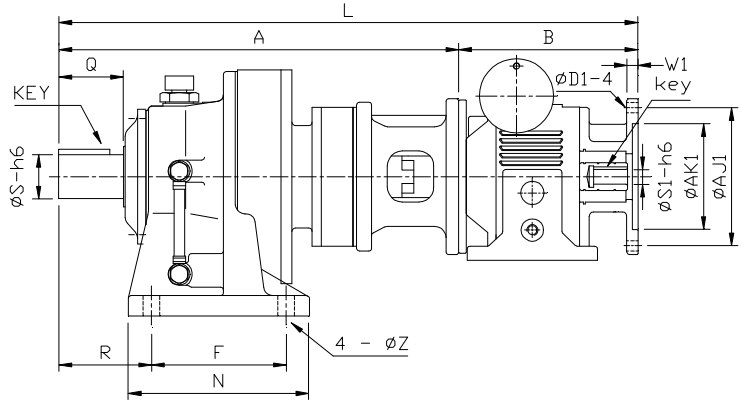
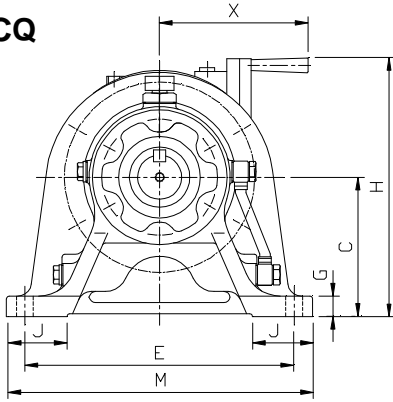


Frame Size	Dimension in mm														Dimension in inch							Wt. (lb)		
	A	B	C	E	F	G	H	I	J	L	M	N	R	X	Z	Slow Speed Shaft			Quill Style NEMA C-Face Adapter					
																S	Q	KEY	D1	W1	AJ1		AK1	S1
B10-05ACQ			100	150	90	17	228	187	40		180	135	75	160	11	1.125	1.97	1/4 x 1/4	0.39	0.32	5.875	4.500	0.625	3/16 x 3/16
B10-1ACQ			100	150	90	17	242	202	40		180	135	75	160	11	1.125	1.97	1/4 x 1/4	0.39	0.51	5.875	4.500	0.875	3/16 x 3/16
B11-1ACQ			120	190	115	21	262	222	55		230	155	82	160	14	1.500	2.17	3/8 x 3/8	0.39	0.51	5.875	4.500	0.875	3/16 x 3/16
B13-2ACQ			150	290	145	27	338	271	65		330	195	100	172	18	1.875	2.76	1/2 x 1/2	0.51	0.75	7.250	8.500	1.125	1/4 x 1/4
B13-3ACQ			150	290	145	27	378	298	65		330	195	100	210	18	1.875	2.76	1/2 x 1/2	0.51	0.87	7.250	8.500	1.375	5/16 x 5/16
B14-3ACQ			150	290	145	27	378	298	65		330	195	120	210	18	1.875	3.54	1/2 x 1/2	0.51	0.87	7.250	8.500	1.375	5/16 x 5/16
B16-3ACQ			160	370	150	30	388	308	75		410	238	139	210	18	2.250	3.54	1/2 x 1/2	0.51	0.87	7.250	8.500	1.375	5/16 x 5/16
B16-5ACQ			160	370	150	30	388	308	75		410	238	139	210	18	2.250	3.54	1/2 x 1/2	0.51	0.87	7.250	8.500	1.375	5/16 x 5/16
B17-5ACQ			200	380	275	32	428	348	80		430	335	125	210	22	2.750	3.54	5/8 x 5/8	0.51	0.87	7.250	8.500	1.375	5/16 x 5/16

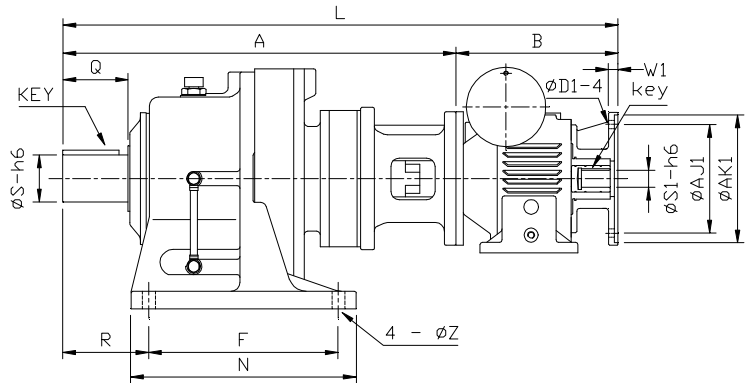
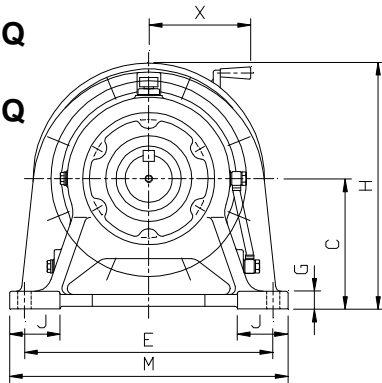
PRODUCT SPECIFICATION - ACQ

Variator w/ Double Stage Cycloidal Reducer Output

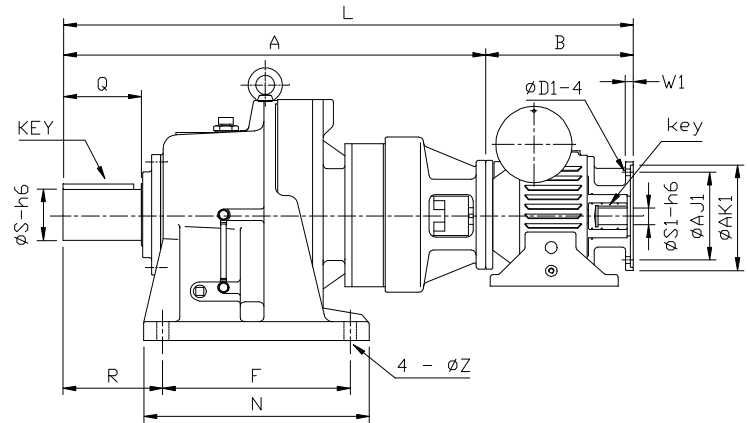
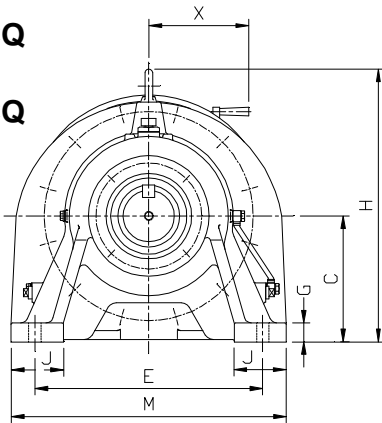
B1310 --- ACQ



B1611 --- ACQ & B1813 --- ACQ



B2013 --- ACQ & B2116 --- ACQ



Frame Size	Dimension in mm														Dimension in inch							Wt. (lb)			
	A	B	C	E	F	G	H	I	J	L	M	N	R	X	Z	Slow Speed Shaft			Quill Style NEMA C-Face Adapter						
	S	Q	KEY	D1	W1	AJ1	AK1	S1	key																
B1310-05ACQ			150	290	145	27		-	65		330	195	100	160	18	1.875	2.76	1/2 x 1/2	0.39	0.32	5.875	4.500	0.625	3/16 x 3/16	
B1611-1ACQ			160	370	150	30		-	75		410	238	139	160	18	2.250	3.54	1/2 x 1/2	0.39	0.51	5.875	4.500	0.875	3/16 x 3/16	
B1813-2ACQ			220	420	320	33		-	85		470	380	145	172	22	3.125	4.33	3/4 x 3/4	0.51	0.75	7.250	8.500	1.125	1/4 x 1/4	
B1813-3ACQ			220	420	320	33		-	85		470	380	145	210	22	3.125	4.33	3/4 x 3/4	0.51	0.87	7.250	8.500	1.375	5/16 x 5/16	
B2013-3ACQ			250	440	360	40		-	100		530	440	215	210	26	3.875	6.50	1 x 1	0.51	0.87	7.250	8.500	1.375	5/16 x 5/16	
B2116-5ACQ			265	480	395	42		-	110		580	475	210	210	26	4.250	6.50	1 x 1	0.51	0.87	7.250	8.500	1.375	5/16 x 5/16	