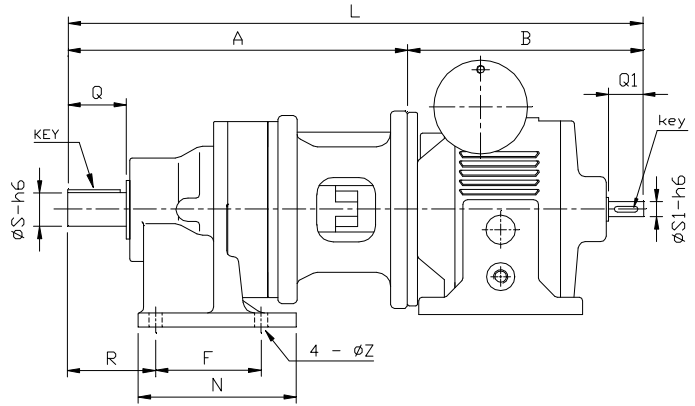
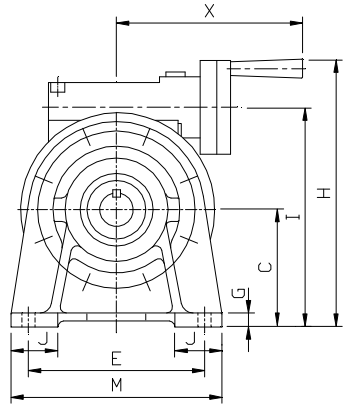


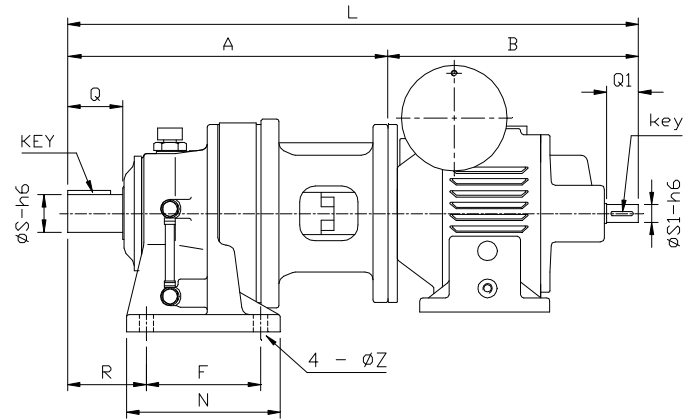
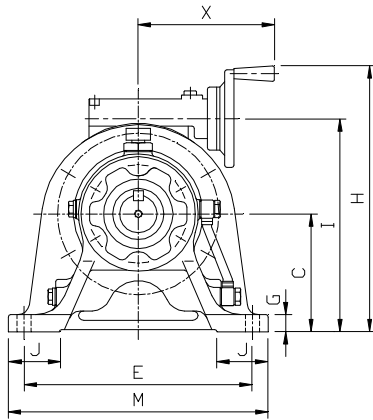
PRODUCT SPECIFICATION - AC

Variator w/ Single Stage Cycloidal Reducer Output

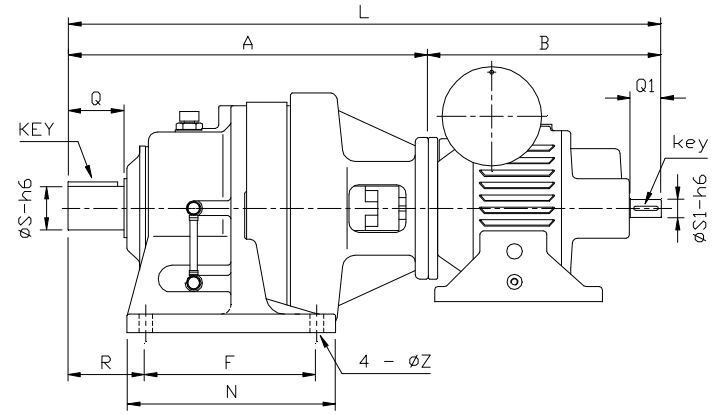
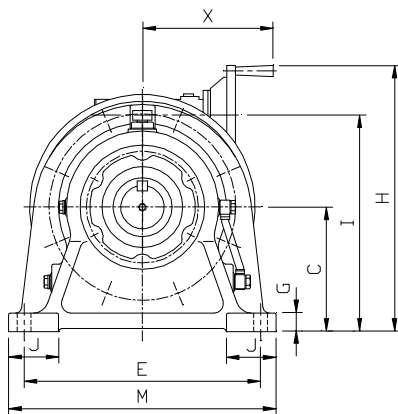
**B10 --- AC
&
B11 --- AC**



**B13 --- AC
&
B14 --- AC**



**B16 --- AC
&
B17 --- AC**

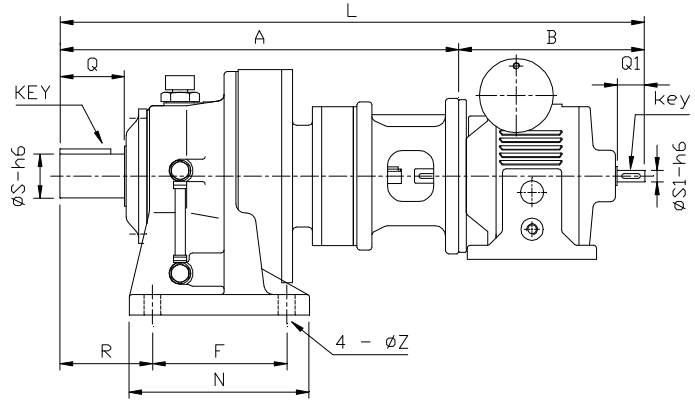
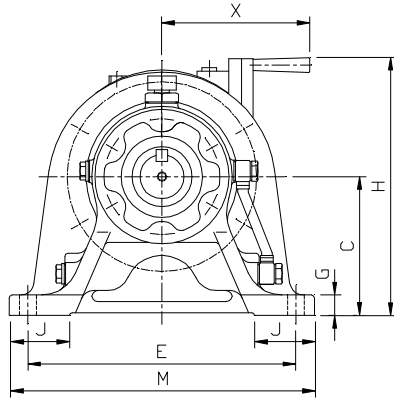


Frame Size	Dimension in mm														Dimension in inch						Wt. (lb)
	A	B	C	E	F	G	H	I	J	L	M	N	R	X	Slow Speed Shaft			High Speed Shaft			
															S	Q	KEY	S1	Q1	key	
B10-05AC			100	150	90	17	228	187	40		180	135	75	160	11	1.125	1.97	1/4 x 1/4	0.500	1.18	1/8 x 1/8
B10-1AC			100	150	90	17	242	202	40		180	135	75	160	11	1.125	1.97	1/4 x 1/4	0.750	1.18	3/16 x 3/16
B11-1AC			120	190	115	21	262	222	55		230	155	82	160	14	1.500	2.17	3/8 x 3/8	0.750	1.18	3/16 x 3/16
B13-2AC			150	290	145	27	338	271	65		330	195	100	172	18	1.875	2.76	1/2 x 1/2	0.875	1.57	3/16 x 3/16
B13-3AC			150	290	145	27	378	298	65		330	195	100	210	18	1.875	2.76	1/2 x 1/2	1.125	1.97	1/4 x 1/4
B14-3AC			150	290	145	27	378	298	65		330	195	120	210	18	1.875	3.54	1/2 x 1/2	1.125	1.97	1/4 x 1/4
B16-3AC			160	370	150	30	388	308	75		410	238	139	210	18	2.250	3.54	1/2 x 1/2	1.125	1.97	1/4 x 1/4
B16-5AC			160	370	150	30	388	308	75		410	238	139	210	18	2.250	3.54	1/2 x 1/2	1.125	1.97	1/4 x 1/4
B17-5AC			200	380	275	32	428	348	80		430	335	125	210	22	2.750	3.54	5/8 x 5/8	1.125	1.97	1/4 x 1/4

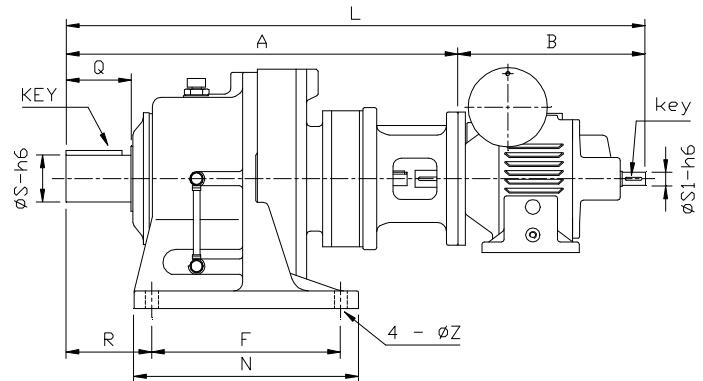
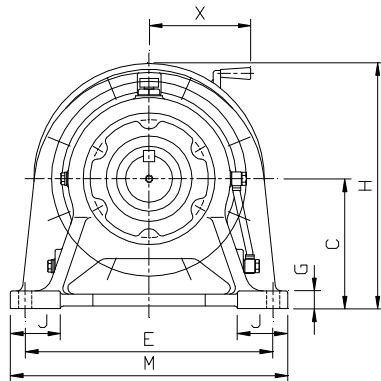
PRODUCT SPECIFICATION - AC

Variator w/ Double Stage Cycloidal Reducer Output

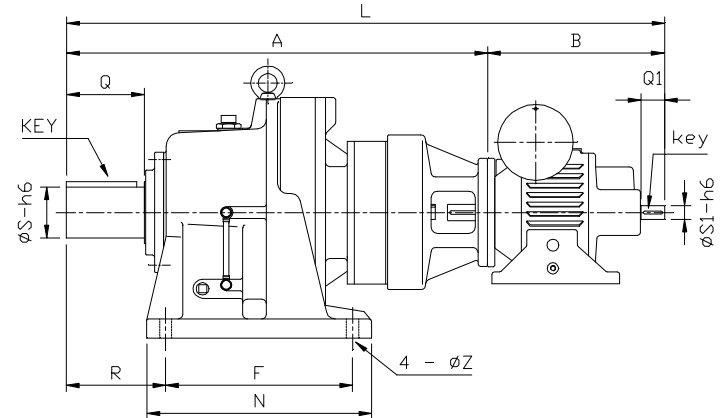
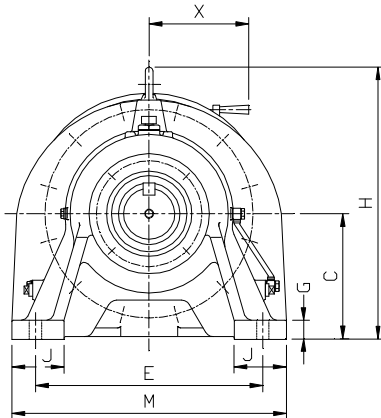
B1310 --- AC



B1611 --- AC & B1813 --- AC



B2013 --- AC & B2116 --- AC



Frame Size	Dimension in mm														Dimension in inch			Wt. (lb)			
	A	B	C	E	F	G	H	I	J	L	M	N	R	X	Z	Slow Speed Shaft			High Speed Shaft		
	S	Q	KEY	S1	Q1	key															
B1310-05AC			150	290	145	27		-	65	330	195	100	160	18	1.875	2.76	1/2 x 1/2	0.500	1.18	1/8 x 1/8	
B1611-1AC			160	370	150	30		-	75	410	238	139	160	18	2.250	3.54	1/2 x 1/2	0.750	1.18	3/16 x 3/16	
B1813-2AC			220	420	320	33		-	85	470	380	145	172	22	3.125	4.33	3/4 x 3/4	0.875	1.57	3/16 x 3/16	
B1813-3AC			220	420	320	33		-	85	470	380	145	210	22	3.125	4.33	3/4 x 3/4	1.125	1.97	1/4 x 1/4	
B2013-3AC			250	440	360	40		-	100	530	440	215	210	26	3.875	6.50	1 x 1	1.125	1.97	1/4 x 1/4	
B2116-5AC			265	480	395	42		-	110	580	475	210	210	26	4.250	6.50	1 x 1	1.125	1.97	1/4 x 1/4	