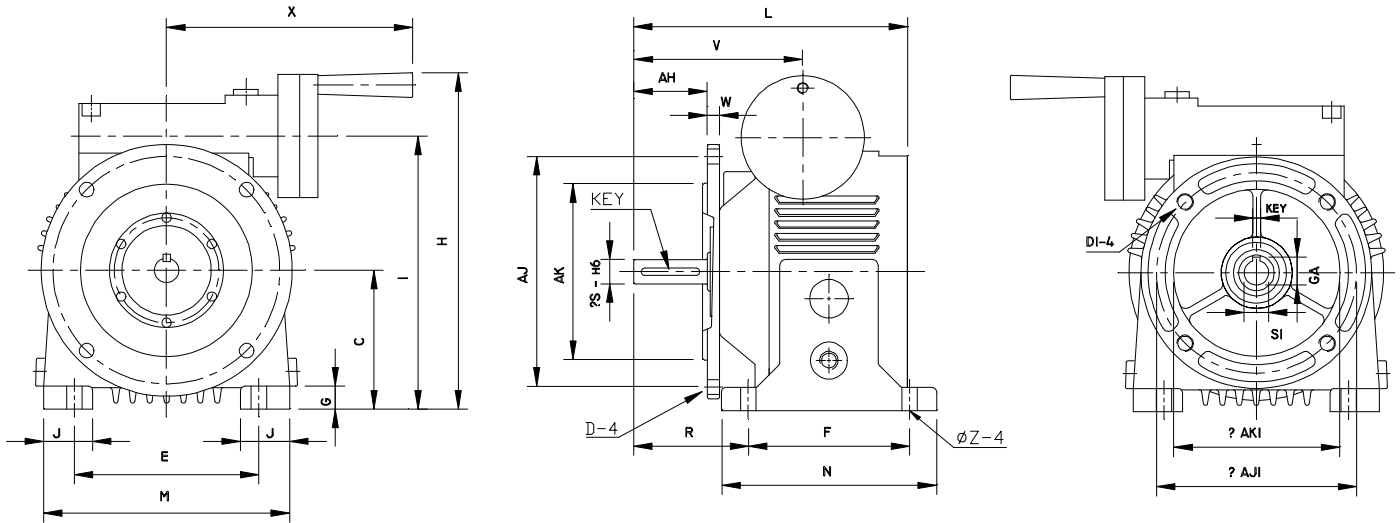


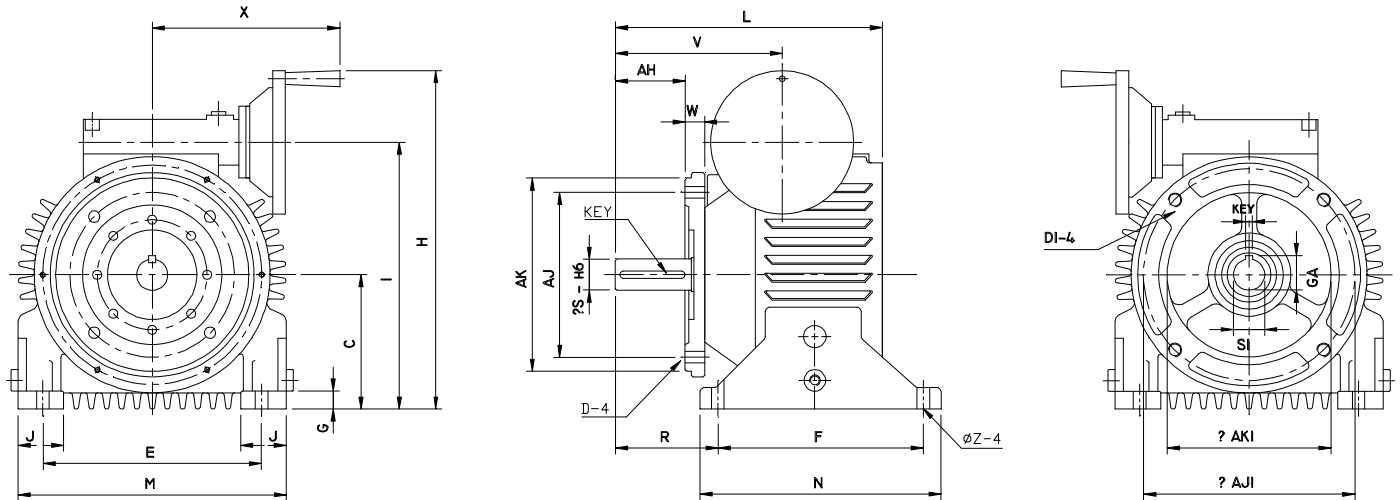
PRODUCT SPECIFICATION - AVM

Foot Mounted Variator w/ Quill Style IEC D-Flange Input

05AVM, 1AVM, 2AVM - (1/2 hp, 1 hp, 2 hp)



3AVM, 5AVM - (3 hp, 5 hp)



Frame Size	Dimension in mm														Dimension in mm							Wt. (lb)						
	C	E	F	G	H	I	J	L	M	N	R	V	X	Z	IEC D-Flange Adapter					NEMA C-Face			Slow Speed Shaft					
	D1	AJ1	AK1	S1	GA	key	D	W	AJ	AK	S	AH	KEY															
05 AVM	90	120	105	15	218	177	32	182	160	140	79	114	160	10	M8	130	110	14	16.5	5	3/8-16	0.32	5.875	4.500	0.625	2.05	3/16 x 3/16	
1 AVM	106	160	125	15	248	208	38	211	186	150	88	125	160	12	M10	165	130	19	22.4	6	3/8-16	0.51	5.875	4.500	0.875	2.13	3/16 x 3/16	
2 AVM	125	180	140	18	313	246	48	267	232	165	126	157	172	12	M10	165	130	24	28	8	1/2-13	0.73	7.250	8.500	1.125	2.60	1/4 x 1/4	
3 AVM	150	245	230	20	378	298	51	299	300	270	115	186	210	14	M12	215	180	28	31	8	1/2-13	0.87	7.250	8.500	1.375	3.05	5/16 x 5/16	
5 AVM	150	245	230	20	378	298	51	299	300	270	115	186	210	14	M12	215	180	28	31	8	1/2-13	0.87	7.250	8.500	1.375	3.05	5/16 x 5/16	