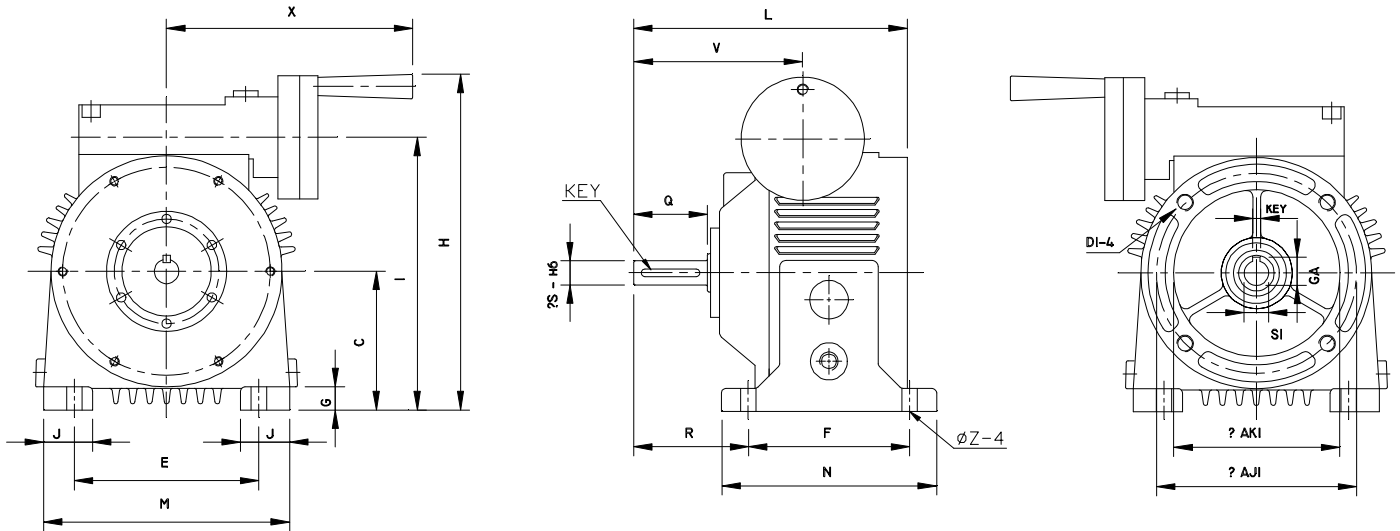


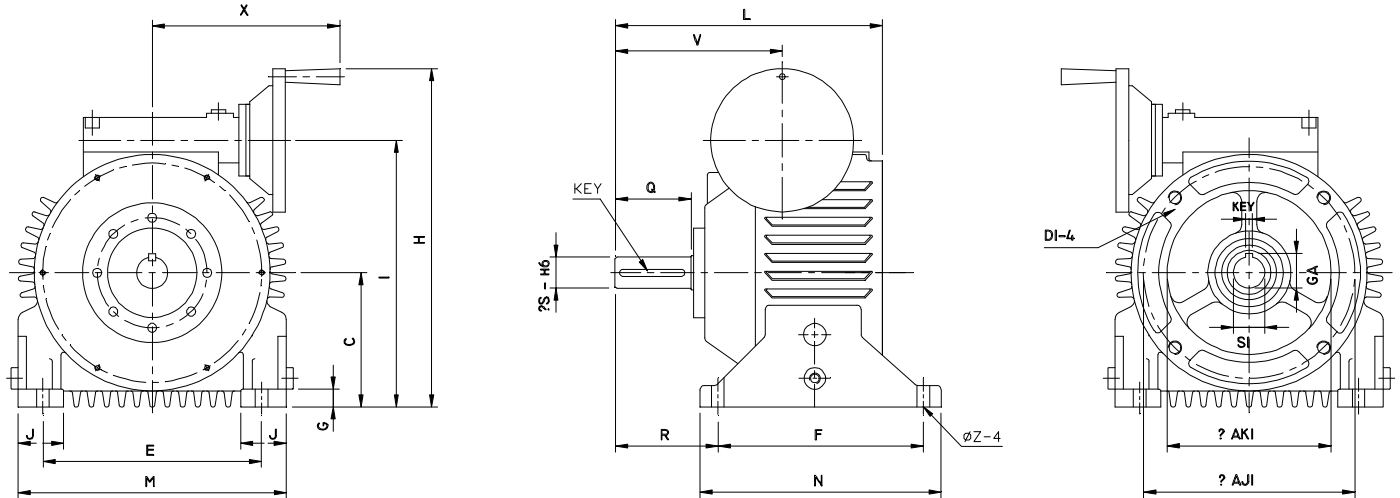
# PRODUCT SPECIFICATION - AM

Foot Mounted Variator w/ Quill Style IEC D-Flange Input

## 05AM, 1AM, 2AM - (1/2 hp, 1 hp, 2 hp)



## 3AM, 5AM - (3 hp, 5 hp)



Frame Size	Dimension in mm														Dimension in inch					Wt. (lb)			
	C	E	F	G	H	I	J	L	M	N	R	V	X	Z	IEC D-Flange Adapter				Slow Speed Shaft				
	D1	AJ1	AK1	S1	GA	key	S	Q	KEY														
05 AM	90	120	105	15	218	177	32	182	160	140	79	114	160	10	M8	130	110	14	16.5	5	0.625	2.05	3/16 x 3/16
1 AM	106	160	125	15	248	208	38	211	186	150	88	125	160	12	M10	165	130	19	22.4	6	0.875	2.13	3/16 x 3/16
2 AM	125	180	140	18	313	246	48	267	232	165	126	157	172	12	M10	165	130	24	28	8	1.125	2.76	1/4 x 1/4
3 AM	150	245	230	20	378	298	51	299	300	270	115	186	210	14	M12	215	180	28	31	8	1.375	3.35	5/16 x 5/16
5 AM	150	245	230	20	378	298	51	299	300	270	115	186	210	14	M12	215	180	28	31	8	1.375	3.35	5/16 x 5/16