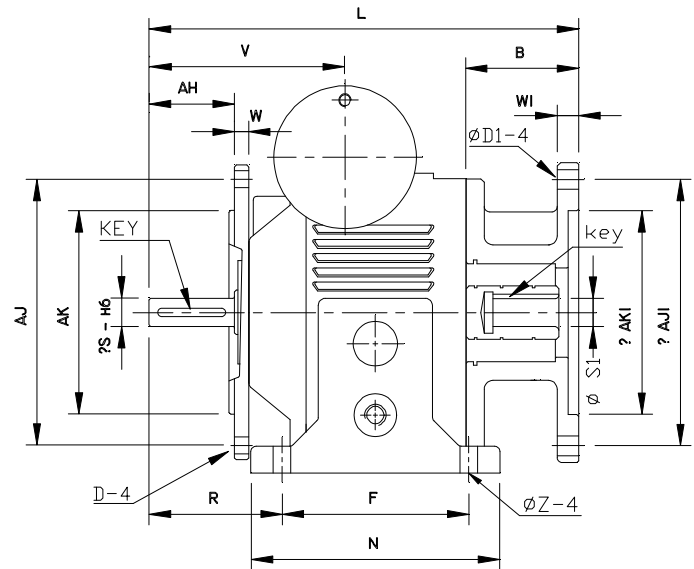
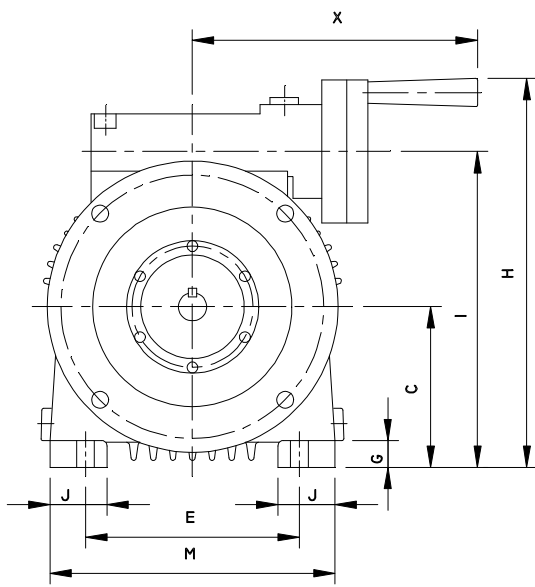


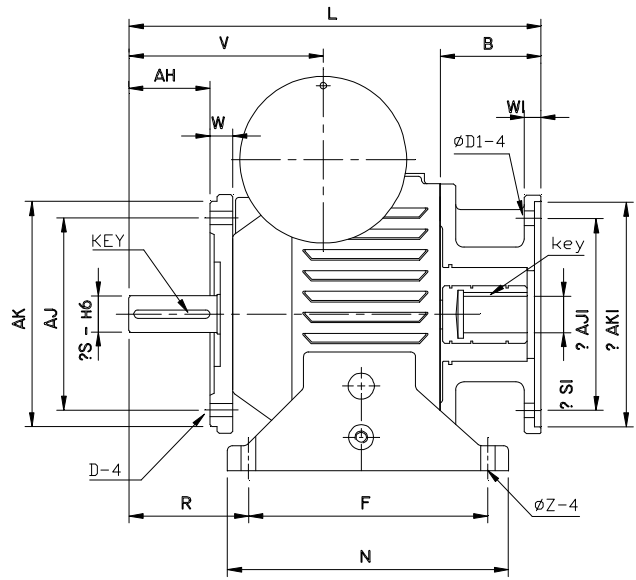
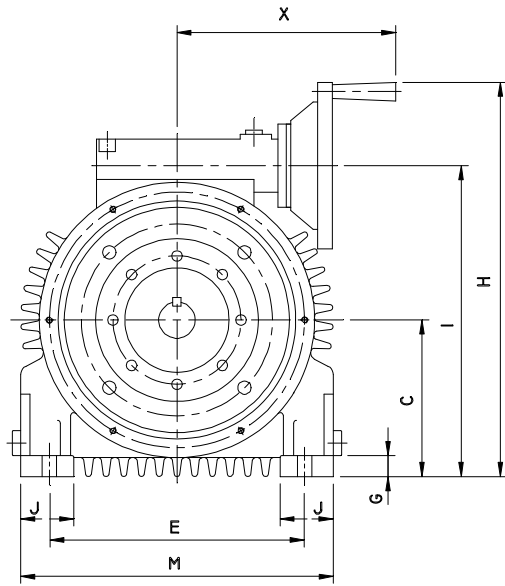
PRODUCT SPECIFICATION - AVQ (Double NEMA C-Face)

NEMA C-Face Flange Mounted Variator w/ Quill Style NEMA C-Face Adapter Input

05AVQ, 1AVQ - (1/2 hp, 1 hp)



2AVQ, 3AVQ, 5AVQ - (2 hp, 3 hp, 5 hp)



Frame Size	Dimension in mm														Dimension in inch										Wt. (lb)			
	B	C	E	F	G	H	I	J	L	M	N	R	V	X	Z	Quill Style NEMA C-Face Adapt					NEMA C-Face			Slow Speed Shaft				
																D1	W1	AJ1	AK1	S1	key	D	W	AJ	AK	S	AH	KEY
05 AVQ	63	90	120	105	15	218	177	32	245	160	140	79	114	160	10	10	8	5.875	4.500	0.625	3/16 x 3/16	3/8-16	0.32	5.875	4.500	0.625	2.05	3/16 x 3/16
1 AVQ	80	106	160	125	15	248	208	38	290	186	150	88	125	160	12	10	13	5.875	4.500	0.875	3/16 x 3/16	3/8-16	0.51	5.875	4.500	0.875	2.13	3/16 x 3/16
2 AVQ	80	125	180	140	18	313	246	48	346	232	165	126	157	172	12	13	19	7.250	8.500	1.125	1/4 x 1/4	1/2-13	0.73	7.250	8.500	1.125	2.60	1/4 x 1/4
3 AVQ	97	150	245	230	20	378	298	51	396	300	270	115	186	210	14	13	22	7.250	8.500	1.375	5/16 x 5/16	1/2-13	0.87	7.250	8.500	1.375	3.05	5/16 x 5/16
5 AVQ	97	150	245	230	20	378	298	51	396	300	270	115	186	210	14	13	22	7.250	8.500	1.375	5/16 x 5/16	1/2-13	0.87	7.250	8.500	1.375	3.05	5/16 x 5/16