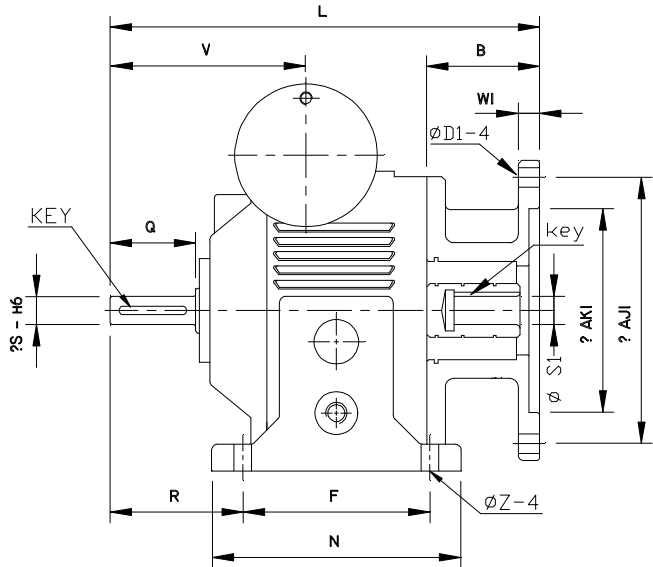
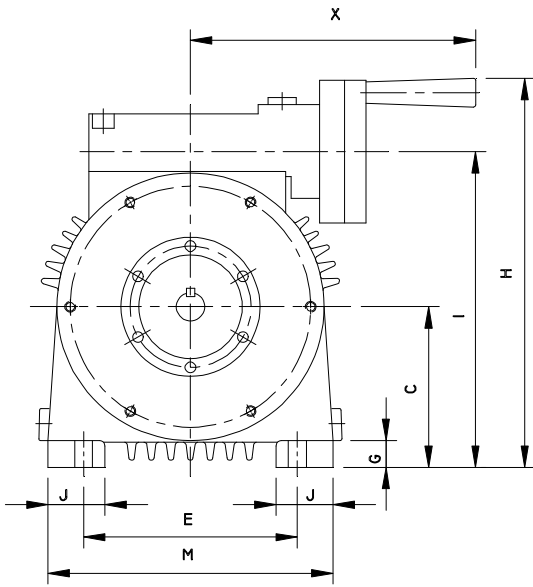


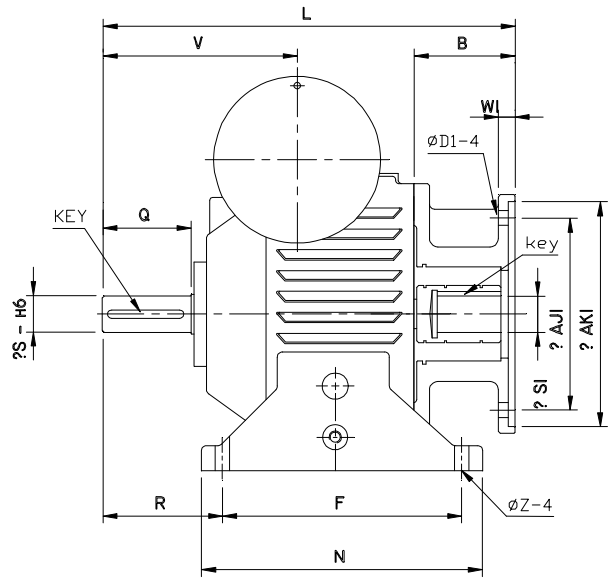
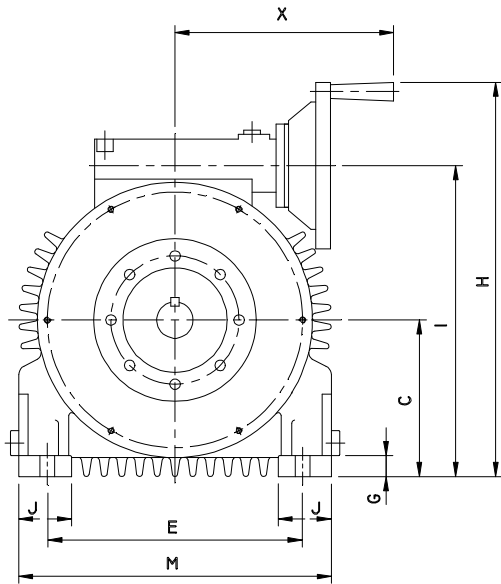
PRODUCT SPECIFICATION - AQ

Foot Mounted Variator w/ Quill Style NEMA C-Face Input

05AQ, 1AQ, 2AQ - (1/2 hp, 1 hp, 2 hp)



3AQ, 5AQ - (3 hp, 5 hp)



Frame Size	Dimension in mm														Dimension in inch							Wt. (lb)			
	B	C	E	F	G	H	I	J	L	M	N	R	V	X	Z	Slow Speed Shaft			Quill Style NEMA C-Face Adapter						
	S	Q	KEY	D1	W1	AJ1	AK1	S1	key																
05 AQ	63	90	120	105	15	218	177	32	245	160	140	79	114	160	10	0.625	2.05	3/16 x 3/16	0.39	0.32	5.875	4.500	0.625	3/16 x 3/16	
1 AQ	80	106	160	125	15	248	208	38	290	186	150	88	125	160	12	0.875	2.13	3/16 x 3/16	0.39	0.51	5.875	4.500	0.875	3/16 x 3/16	
2 AQ	80	125	180	140	18	313	246	48	346	232	165	126	157	172	12	1.125	2.76	1/4 x 1/4	0.51	0.75	7.250	8.500	1.125	1/4 x 1/4	
3 AQ	97	150	245	230	20	378	298	51	396	300	270	115	186	210	14	1.375	3.35	5/16 x 5/16	0.51	0.87	7.250	8.500	1.375	5/16 x 5/16	
5AQ	97	150	245	230	20	378	298	51	396	300	270	115	186	210	14	1.375	3.35	5/16 x 5/16	0.51	0.87	7.250	8.500	1.375	5/16 x 5/16	