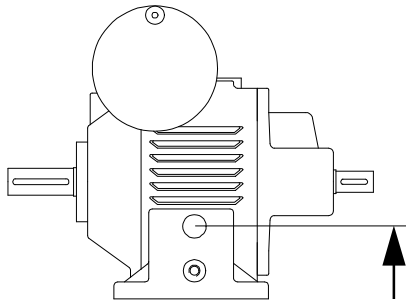


Lubrication & Maintenance

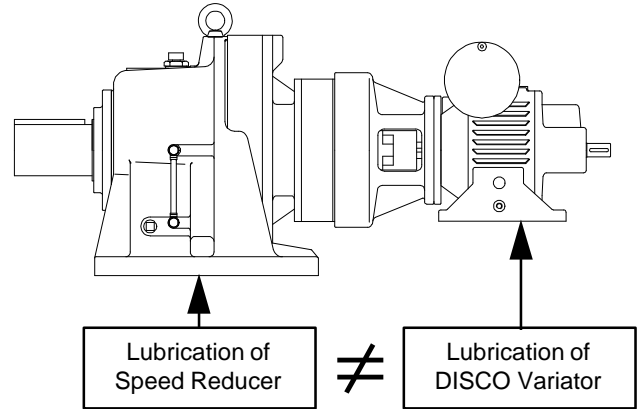
◆ The quality and quantity of lubrication oil has a **DIRECT INFLUENCE** to the operating life of the Mechanical Variator.

⚠ NOTICE



◆ Lubricating oil should be filled to the center of oil gauge while the unit is not running.

⚠ WARNING

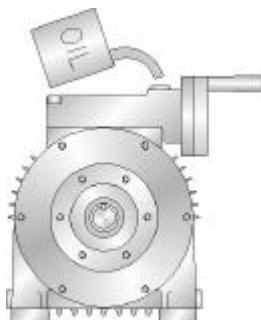


Recommended Oils For DARALI DISCO Variators

BRAND	14 ~ 32 deg F (-10 ~ 0 deg C)		32 ~ 95 deg F (0 ~ 35 deg C)		95 ~ 122 deg F (35 ~ 50 deg C)
	BP	Harmony 46AW	Harmony 68AW	Harmony 100AW	Harmony 150AW
EXXON	Nuto H46	Nuto H68	Terrestic 100	Terrestic 150	Terrestic 220
MOBIL	Mobil DTE 25	Mobil DTE 26	Mobil DTE Heavy	Mobil DTE Extra Heavy	Mobil DTE BB
SHELL	Tellus 46	Tellus 68	Tellus 100	—	—
TEXACO	Rando 46	Rando 68	Regal R&O 100	Regal R&O 150	Regal R&O 220

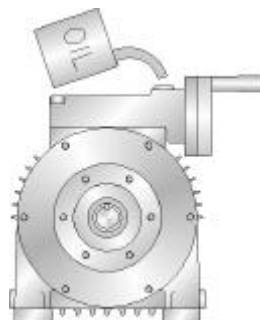
◆ OIL CHANGE INTERVAL (Based on 8 hours per day operation)

First Oil Change:



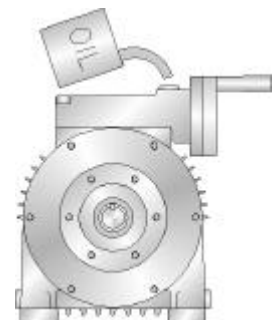
20 Days

Second Oil Change:



60 Days

Subsequent Oil Change:



Every 6 Months