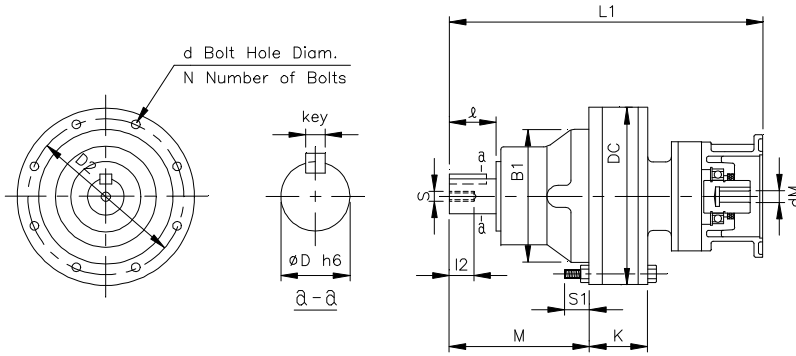


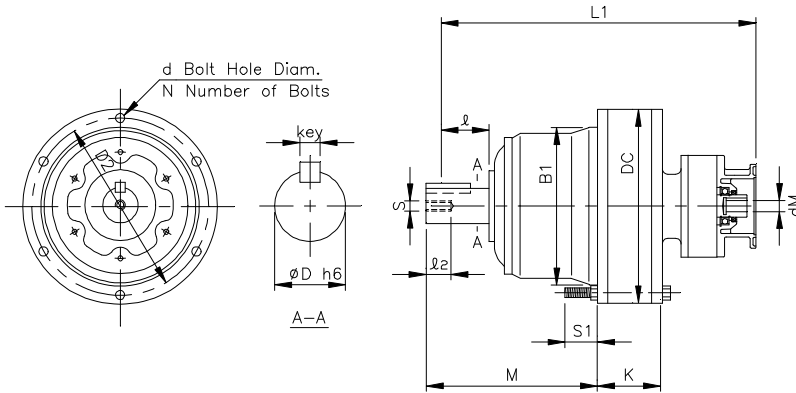
# REDUCER w/ NEMA C-Face Adapter - QF

1 inch = 25.4 mm  
All dimensions listed are for reference only.  
Contact factory for certified dimensions.

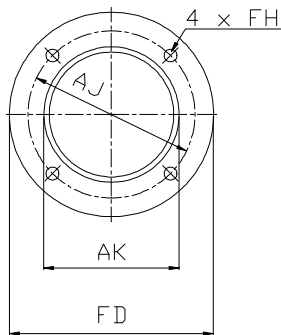
## INCH SHAFT - DOUBLE STAGE - HOLLOW QUILL INPUT



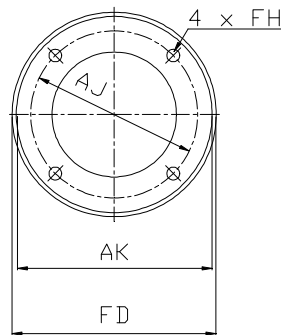
B1109-QF



B1310-QF ~ B1711-QF



NEMA  
56C, 143/145



NEMA  
182/184 & above

DARALI Frame	Motor Frame	Dim. in mm									Dim. in inch				Dim. in inch				Wt (lb)		
		B1	DC	M	K	S1	L1	D2	d	N	NEMA C-Face Adapter				Output Shaft						
											dM	AK	FD	AJ	FH	D	I	Key	s	I2	
B1109-QF	56C	140	204	139	61	28	336	180	11	6	0.625	4.500	6.625	5.875	0.433	1.500	2.17	3/8 x 3/8 x 1.77	M10	18	62
	143/145	140	204	139	61	28	336	180	11	6	0.875	4.500	6.625	5.875	0.433	1.500	2.17	3/8 x 3/8 x 1.77	M10	18	62
B1310-QF	56C	165	230	177	75	30	393	205	11	6	0.625	4.500	6.625	5.875	0.433	1.875	2.76	1/2 x 1/2 x 2.17	M10	18	95
	143/145	165	230	177	75	30	393	205	11	6	0.875	4.500	6.625	5.875	0.433	1.875	2.76	1/2 x 1/2 x 2.17	M10	18	95
B1409-QF	56C	165	230	197	75	30	407	205	11	6	0.625	4.500	6.625	5.875	0.433	1.875	3.54	1/2 x 1/2 x 2.17	M10	18	93
	143/145	165	230	197	75	30	407	205	11	6	0.875	4.500	6.625	5.875	0.433	1.875	3.54	1/2 x 1/2 x 2.17	M10	18	93
B1611-QF	56C	200	318	222	102	40	467	270	14	6	0.625	4.500	6.625	5.875	0.433	2.250	3.54	1/2 x 1/2 x 2.95	M10	18	190
	143/145	200	318	222	102	40	467	270	14	6	0.875	4.500	6.625	5.875	0.433	2.250	3.54	1/2 x 1/2 x 2.95	M10	18	190
	182/184	200	318	222	102	40	481	270	14	6	1.125	8.500	8.875	7.250	0.433	2.250	3.54	1/2 x 1/2 x 2.95	M10	18	194
B1711-QF	56C	250	362	262	110	45	514	300	15	8	0.625	4.500	6.625	5.875	0.433	2.750	3.54	5/8 x 5/8 x 3.15	M12	24	241
	143/145	250	362	262	110	45	514	300	15	8	0.875	4.500	6.625	5.875	0.433	2.750	3.54	5/8 x 5/8 x 3.15	M12	24	241
	182/184	250	362	262	110	45	528	300	15	8	1.125	8.500	8.875	7.250	0.433	2.750	3.54	5/8 x 5/8 x 3.15	M12	24	245