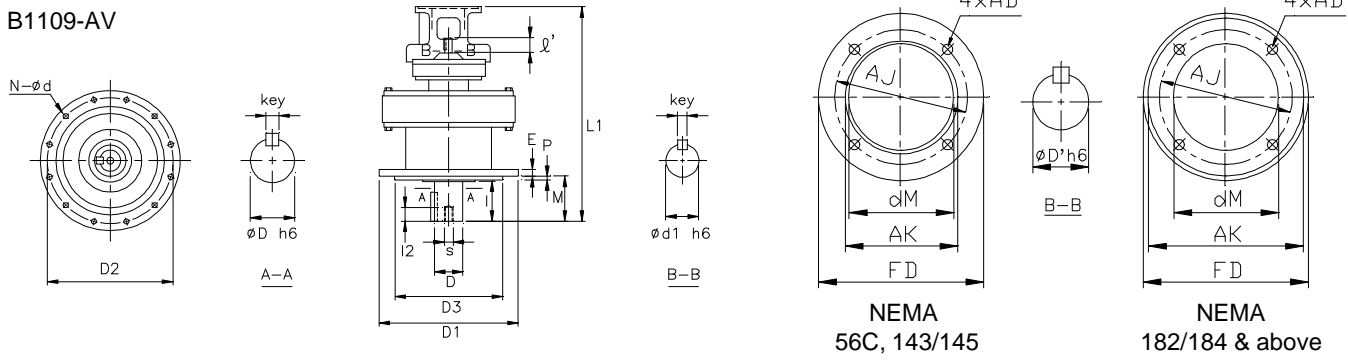


# REDUCER w/ NEMA C-Face Adapter - AV

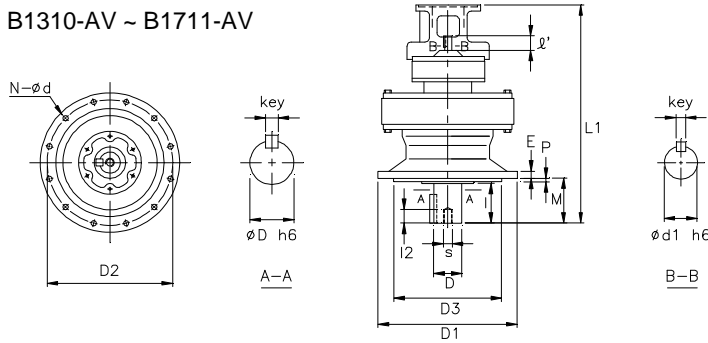
1 inch = 25.4 mm  
All dimensions listed are for reference only.  
Contact factory for certified dimensions.

## INCH SHAFT - DOUBLE STAGE (Users Provide Own Couplings)

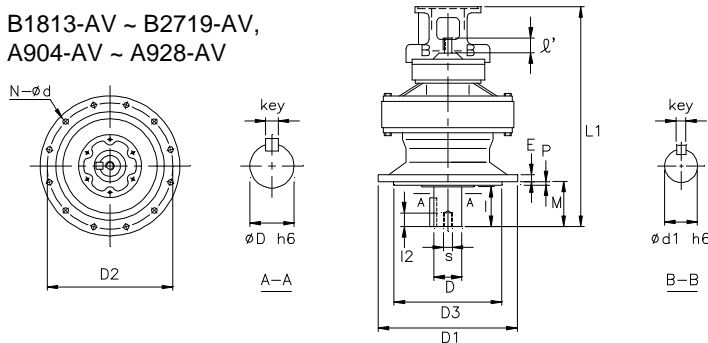
### B1109-AV



### B1310-AV ~ B1711-AV



### B1813-AV ~ B2719-AV, A904-AV ~ A928-AV



DARALI Frame	Motor Frame	C-Face Adapter				
		dM	AK	FD	AJ	AD
B1109-AV	56C	3.543	4.500	6.625	5.875	0.433
	143/145	3.543	4.500	6.625	5.875	0.433
B1310-AV	56C	3.543	4.500	6.625	5.875	0.433
	143/145	3.543	4.500	6.625	5.875	0.433
B1409-AV	56C	3.543	4.500	6.625	5.875	0.433
	143/145	3.543	4.500	6.625	5.875	0.433
B1611-AV	56C	3.543	4.500	6.625	5.875	0.472
	143/145	3.543	4.500	6.625	5.875	0.472
	182/184	4.724	8.500	8.878	7.250	0.551
B1711-AV	56C	3.543	4.500	6.625	5.875	0.472
	143/145	3.543	4.500	6.625	5.875	0.472
	182/184	4.724	8.500	8.878	7.250	0.551
B1813-AV	56C	3.543	4.500	6.625	5.875	0.472
	143/145	3.543	4.500	6.625	5.875	0.472
	182/184	5.276	8.500	8.878	7.250	0.551
	213/215	5.276	8.500	8.878	7.250	0.551
B1911-AV	56C	3.543	4.500	6.625	5.875	0.472
	143/145	3.543	4.500	6.625	5.875	0.472
	182/184	4.724	8.500	8.878	7.250	0.551
B1913-AV	56C	3.543	4.500	6.625	5.875	0.472
	143/145	3.543	4.500	6.625	5.875	0.472
	182/184	5.276	8.500	8.878	7.250	0.551
	213/215	5.276	8.500	8.878	7.250	0.551

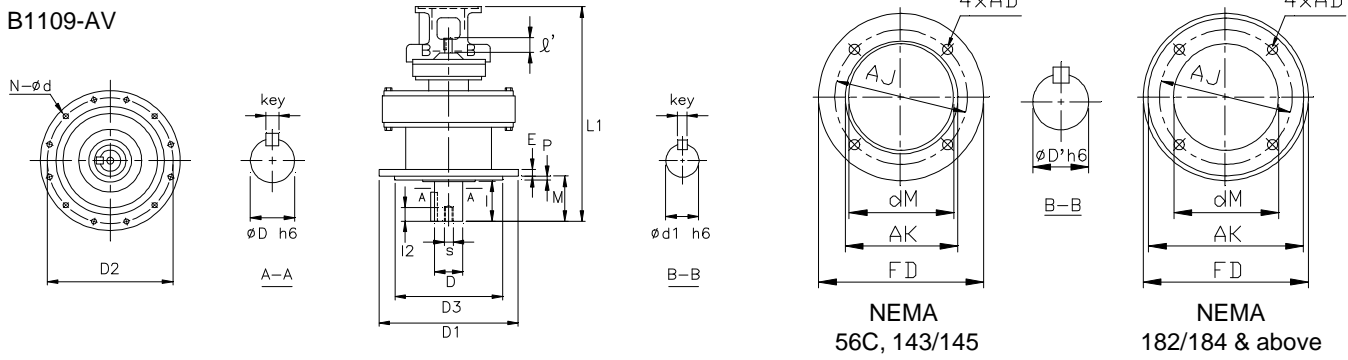
DARALI Frame	Motor Frame	Dim. in mm										Dim. in inch					Wt (lb)			
		L1	D1	D2	D3	E	M	N	d	P	Output Shaft			Input Shaft						
											D	I	Key	s	I2	D'		I'		
B1109-AV	56C	379	210	180	140	13	69	6	11	4	1.500	2.17	3/8 x 3/8 x 1.77	M10	18	.625	.98	3/16 x 3/16 x .75	71	
	143/145	379	210	180	140	13	69	6	11	4	1.500	2.17	3/8 x 3/8 x 1.77	M10	18	.625	.98	3/16 x 3/16 x .75	71	
B1310-AV	56C	433	260	230	200	15	76	6	11	4	1.875	2.76	1/2 x 1/2 x 2.17	M10	18	.625	.98	3/16 x 3/16 x .75	124	
	143/145	433	260	230	200	15	76	6	11	4	1.875	2.76	1/2 x 1/2 x 2.17	M10	18	.625	.98	3/16 x 3/16 x .75	124	
B1409-AV	56C	450	260	230	200	15	96	6	11	4	1.875	3.54	1/2 x 1/2 x 2.17	M10	18	.625	.98	3/16 x 3/16 x .75	118	
	143/145	450	260	230	200	15	96	6	11	4	1.875	3.54	1/2 x 1/2 x 2.17	M10	18	.625	.98	3/16 x 3/16 x .75	118	
B1611-AV	56C	528	340	310	270	20	89	6	11	4	2.250	3.54	1/2 x 1/2 x 2.95	M10	18	.750	1.38	3/16 x 3/16 x 1.02	217	
	143/145	528	340	310	270	20	89	6	11	4	2.250	3.54	1/2 x 1/2 x 2.95	M10	18	.750	1.38	3/16 x 3/16 x 1.02	217	
	182/184	547	340	310	270	20	89	6	11	4	2.250	3.54	1/2 x 1/2 x 2.95	M10	18	.750	1.38	3/16 x 3/16 x 1.02	221	
	56C	575	400	360	316	22	94	8	14	5	2.750	3.54	5/8 x 5/8 x 3.15	M12	24	.750	1.38	3/16 x 3/16 x 1.02	280	
B1711-AV	143/145	575	400	360	316	22	94	8	14	5	2.750	3.54	5/8 x 5/8 x 3.15	M12	24	.750	1.38	3/16 x 3/16 x 1.02	280	
	182/184	594	400	360	316	22	94	8	14	5	2.750	3.54	5/8 x 5/8 x 3.15	M12	24	.750	1.38	3/16 x 3/16 x 1.02	284	
	B1813-AV	56C	644	430	390	345	22	110	8	18	5	3.125	4.33	3/4 x 3/4 x 3.74	M12	24	.875	1.57	3/16 x 3/16 x 1.38	376
		143/145	644	430	390	345	22	110	8	18	5	3.125	4.33	3/4 x 3/4 x 3.74	M12	24	.875	1.57	3/16 x 3/16 x 1.38	376
B1911-AV	182/184	663	430	390	345	22	110	8	18	5	3.125	4.33	3/4 x 3/4 x 3.74	M12	24	.875	1.57	3/16 x 3/16 x 1.38	380	
	213/215	679	430	390	345	22	110	8	18	5	3.125	4.33	3/4 x 3/4 x 3.74	M12	24	.875	1.57	3/16 x 3/16 x 1.38	386	
	56C	695	490	450	400	30	145	12	18	6	3.625	5.31	7/8 x 7/8 x 4.92	M20	34	.750	1.38	3/16 x 3/16 x 1.02	541	
	143/145	695	490	450	400	30	145	12	18	6	3.625	5.31	7/8 x 7/8 x 4.92	M20	34	.750	1.38	3/16 x 3/16 x 1.02	541	
B1913-AV	182/184	714	490	450	400	30	145	12	18	6	3.625	5.31	7/8 x 7/8 x 4.92	M20	34	.750	1.38	3/16 x 3/16 x 1.02	545	
	56C	720	490	450	400	30	145	12	18	6	3.625	5.31	7/8 x 7/8 x 4.92	M20	34	.875	1.57	3/16 x 3/16 x 1.38	552	
	143/145	720	490	450	400	30	145	12	18	6	3.625	5.31	7/8 x 7/8 x 4.92	M20	34	.875	1.57	3/16 x 3/16 x 1.38	552	
	182/184	739	490	450	400	30	145	12	18	6	3.625	5.31	7/8 x 7/8 x 4.92	M20	34	.875	1.57	3/16 x 3/16 x 1.38	567	
213/215	755	490	450	400	30	145	12	18	6	3.625	5.31	7/8 x 7/8 x 4.92	M20	34	.875	1.57	3/16 x 3/16 x 1.38	573		

# REDUCER w/ NEMA C-Face Adapter - AV

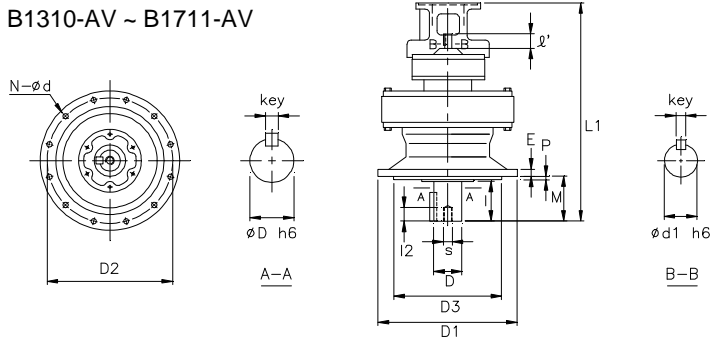
1 inch = 25.4 mm  
All dimensions listed are for reference only.  
Contact factory for certified dimensions.

## INCH SHAFT - DOUBLE STAGE (Users Provide Own Couplings)

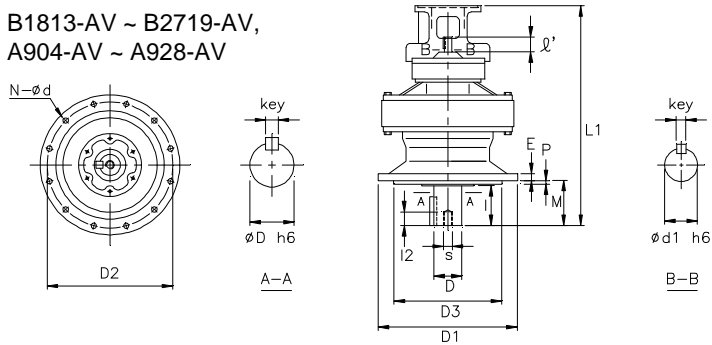
B1109-AV



B1310-AV ~ B1711-AV



B1813-AV ~ B2719-AV,  
A904-AV ~ A928-AV



FRAME SIZE	Motor Frame	C-Face Adapter				
		dM	AK	FD	AJ	AD
B2011-AV	56C	3.543	4.500	6.625	5.875	0.472
	143/145	3.543	4.500	6.625	5.875	0.472
	182/184	4.724	8.500	8.878	7.250	0.551
B2013-AV	56C	3.543	4.500	6.625	5.875	0.472
	143/145	3.543	4.500	6.625	5.875	0.472
	182/184	5.276	8.500	8.878	7.250	0.551
	213/215	5.276	8.500	8.878	7.250	0.551
B2113-AV	56C	3.543	4.500	6.625	5.875	0.472
	143/145	3.543	4.500	6.625	5.875	0.472
	182/184	5.276	8.500	8.878	7.250	0.551
	213/215	5.276	8.500	8.878	7.250	0.551
B2116-AV	182/184	5.315	8.500	8.878	7.250	0.551
	213/215	5.315	8.500	9.000	7.250	0.551
	254/256	5.315	8.500	9.626	7.250	0.551
B2213-AV	56C	3.543	4.500	6.625	5.875	0.472
	143/145	3.543	4.500	6.625	5.875	0.472
	182/184	5.276	8.500	8.878	7.250	0.551
	213/215	5.276	8.500	8.878	7.250	0.551
B2217-AV	182/184	5.315	8.500	8.878	7.250	0.551
	213/215	5.315	8.500	9.000	7.250	0.551
	254/256	5.315	8.500	9.626	7.250	0.551
B2316-AV	182/184	5.315	8.500	8.878	7.250	0.551
	213/215	5.315	8.500	9.000	7.250	0.551
	254/256	5.315	8.500	9.626	7.250	0.551
B2318-AV	254/256	5.354	8.500	9.626	7.250	0.551
	284/286	5.354	10.500	11.000	9.000	0.551

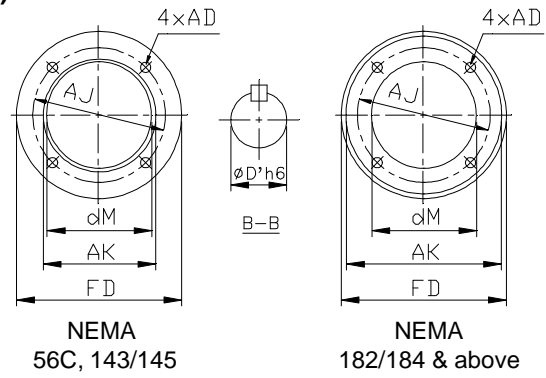
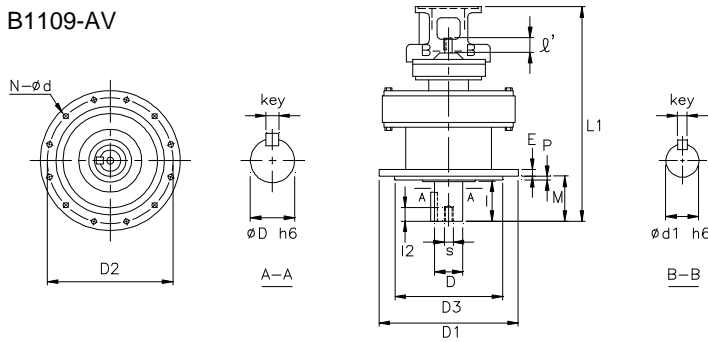
FRAME SIZE	Motor Frame	Dim. in mm										Dim. in inch					Dim. in inch					Wt (lb)
		L1	D1	D2	D3	E	M	N	d	P	D	I	Key	s	I2	D1	I1	Key				
B2011-AV	56C	736	455	405	355	30	204	8	22	5	3.875	6.50	1 x 1 x 6.50	M20	34	.750	1.38	3/16 x 3/16 x 1.02	583			
	143/145	736	455	405	355	30	204	8	22	5	3.875	6.50	1 x 1 x 6.50	M20	34	.750	1.38	3/16 x 3/16 x 1.02	583			
	182/184	755	455	405	355	30	204	8	22	5	3.875	6.50	1 x 1 x 6.50	M20	34	.750	1.38	3/16 x 3/16 x 1.02	587			
B2013-AV	56C	772	455	405	355	30	204	8	22	5	3.875	6.50	1 x 1 x 6.50	M20	34	.875	1.57	3/16 x 3/16 x 1.38	614			
	143/145	772	455	405	355	30	204	8	22	5	3.875	6.50	1 x 1 x 6.50	M20	34	.875	1.57	3/16 x 3/16 x 1.38	614			
	182/184	791	455	405	355	30	204	8	22	5	3.875	6.50	1 x 1 x 6.50	M20	34	.875	1.57	3/16 x 3/16 x 1.38	618			
	213/215	807	455	405	355	30	204	8	22	5	3.875	6.50	1 x 1 x 6.50	M20	34	.875	1.57	3/16 x 3/16 x 1.38	624			
B2113-AV	56C	798	490	440	390	35	203	8	24	7	4.250	6.50	1 x 1 x 6.50	M20	34	.875	1.57	3/16 x 3/16 x 1.38	793			
	143/145	798	490	440	390	35	203	8	24	7	4.250	6.50	1 x 1 x 6.50	M20	34	.875	1.57	3/16 x 3/16 x 1.38	793			
	182/184	817	490	440	390	35	203	8	24	7	4.250	6.50	1 x 1 x 6.50	M20	34	.875	1.57	3/16 x 3/16 x 1.38	796			
	213/215	833	490	440	390	35	203	8	24	7	4.250	6.50	1 x 1 x 6.50	M20	34	.875	1.57	3/16 x 3/16 x 1.38	803			
B2116-AV	182/184	864	490	440	390	35	203	8	24	7	4.250	6.50	1 x 1 x 6.50	M20	34	1.125	1.77	1/4 x 1/4 x 1.77	871			
	213/215	888	490	440	390	35	203	8	24	7	4.250	6.50	1 x 1 x 6.50	M20	34	1.125	1.77	1/4 x 1/4 x 1.77	875			
	254/256	899	490	440	390	35	203	8	24	7	4.250	6.50	1 x 1 x 6.50	M20	34	1.125	1.77	1/4 x 1/4 x 1.77	881			
B2213-AV	56C	840	535	475	415	35	210	8	27	10	4.625	6.50	1 1/4 x 7/8 x 6.50	M20	34	.875	1.57	3/16 x 3/16 x 1.38	958			
	143/145	840	535	475	415	35	210	8	27	10	4.625	6.50	1 1/4 x 7/8 x 6.50	M20	34	.875	1.57	3/16 x 3/16 x 1.38	958			
	182/184	859	535	475	415	35	210	8	27	10	4.625	6.50	1 1/4 x 7/8 x 6.50	M20	34	.875	1.57	3/16 x 3/16 x 1.38	962			
	213/215	875	535	475	415	35	210	8	27	10	4.625	6.50	1 1/4 x 7/8 x 6.50	M20	34	.875	1.57	3/16 x 3/16 x 1.38	968			
B2217-AV	182/184	941	535	475	415	35	210	8	27	10	4.625	6.50	1 1/4 x 7/8 x 6.50	M20	34	1.375	2.17	5/16 x 5/16 x 2.17	1088			
	213/215	957	535	475	415	35	210	8	27	10	4.625	6.50	1 1/4 x 7/8 x 6.50	M20	34	1.375	2.17	5/16 x 5/16 x 2.17	1090			
	254/256	976	535	475	415	35	210	8	27	10	4.625	6.50	1 1/4 x 7/8 x 6.50	M20	34	1.375	2.17	5/16 x 5/16 x 2.17	1094			
B2316-AV	182/184	967	570	510	450	40	250	8	27	10	5.000	7.87	1 1/4 x 7/8 x 7.87	M24	41	1.125	1.77	1/4 x 1/4 x 1.77	1254			
	213/215	991	570	510	450	40	250	8	27	10	5.000	7.87	1 1/4 x 7/8 x 7.87	M24	41	1.125	1.77	1/4 x 1/4 x 1.77	1257			
	254/256	1002	570	510	450	40	250	8	27	10	5.000	7.87	1 1/4 x 7/8 x 7.87	M24	41	1.125	1.77	1/4 x 1/4 x 1.77	1261			
B2318-AV	254/256	1051	570	510	450	40	250	8	27	10	5.000	7.87	1 1/4 x 7/8 x 7.87	M24	41	1.500	2.56	3/8 x 3/8 x 2.56	1340			
	284/286	1067	570	510	450	40	250	8	27	10	5.000	7.87	1 1/4 x 7/8 x 7.87	M24	41	1.500	2.56	3/8 x 3/8 x 2.56	1345			

# REDUCER w/ NEMA C-Face Adapter - AV

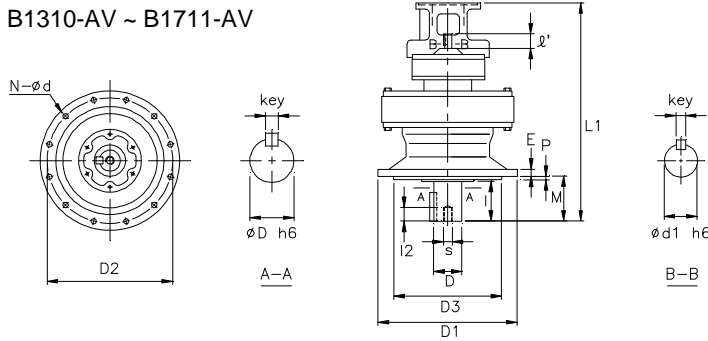
1 inch = 25.4 mm  
All dimensions listed are for reference only.  
Contact factory for certified dimensions.

## INCH SHAFT - DOUBLE STAGE (Users Provide Own Couplings)

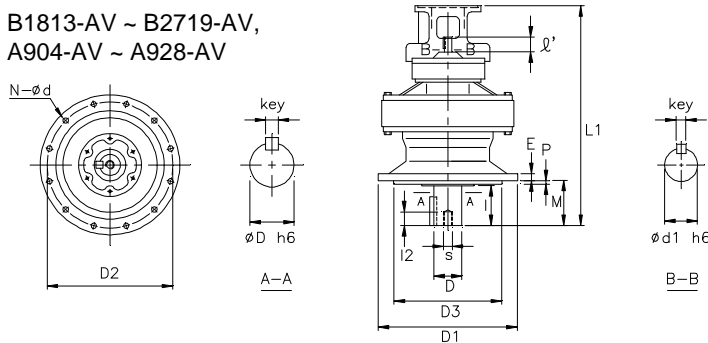
B1109-AV



B1310-AV ~ B1711-AV



B1813-AV ~ B2719-AV, A904-AV ~ A928-AV



FRAME SIZE	Motor Frame	C-Face Adapter				
		dM	AK	FD	AJ	AD
B2416-AV	182/184	5.315	8.500	8.878	7.250	0.551
	213/215	5.315	8.500	9.000	7.250	0.551
	254/256	5.315	8.500	9.626	7.250	0.551
B2418-AV	254/256	5.354	8.500	9.626	7.250	0.551
	284/286	5.354	10.500	11.000	9.000	0.551
B2517-AF	182/184	5.315	8.500	8.878	7.250	0.551
	213/215	5.315	8.500	9.000	7.250	0.551
	254/256	5.315	8.500	9.626	7.250	0.551
B2519-AV	284/286	6.614	10.500	11.000	9.000	0.551
B2619-AV	284/286	6.614	10.500	11.000	9.000	0.551
B2719-AV	284/286	6.614	10.500	11.000	9.000	0.551
A904-AV	56C	3.543	4.500	6.625	5.875	0.472
	143/145	3.543	4.500	6.625	5.875	0.472
	182/184	5.276	8.500	8.878	7.250	0.551
	213/215	5.276	8.500	8.878	7.250	0.551
A906-AV	182/184	5.315	8.500	8.878	7.250	0.551
	213/215	5.315	8.500	9.000	7.250	0.551
	254/256	5.315	8.500	9.626	7.250	0.551
A916-AV	182/184	5.315	8.500	8.878	7.250	0.551
	213/215	5.315	8.500	9.000	7.250	0.551
	254/256	5.315	8.500	9.626	7.250	0.551
A917-AV	182/184	5.315	8.500	8.878	7.250	0.551
	213/215	5.315	8.500	9.000	7.250	0.551
	254/256	5.315	8.500	9.626	7.250	0.551
A928-AV	254/256	5.354	8.500	9.626	7.250	0.551
	284/286	5.354	10.500	11.000	9.000	0.551

FRAME SIZE	Motor Frame	Dim. in mm										Dim. in inch				Dim. in inch				Wt (lb)
		L1	D1	D2	D3	E	M	N	d	P	D	I	Key	s	I2	D1	I1	Key		
B2416-AV	182/184	1005	635	560	485	40	250	8	33	10	5.500	7.87	1 1/4 x 7/8 x 7.87	M24	41	1.125	1.77	1/4 x 1/4 x 1.77	1493	
	213/215	1029	635	560	485	40	250	8	33	10	5.500	7.87	1 1/4 x 7/8 x 7.87	M24	41	1.125	1.77	1/4 x 1/4 x 1.77	1495	
	254/256	1040	635	560	485	40	250	8	33	10	5.500	7.87	1 1/4 x 7/8 x 7.87	M24	41	1.125	1.77	1/4 x 1/4 x 1.77	1499	
B2418-AV	254/256	1088	635	560	485	40	250	8	33	10	5.500	7.87	1 1/4 x 7/8 x 7.87	M24	41	1.500	2.56	3/8 x 3/8 x 2.56	1569	
	284/286	1104	635	560	485	40	250	8	33	10	5.500	7.87	1 1/4 x 7/8 x 7.87	M24	41	1.500	2.56	3/8 x 3/8 x 2.56	1574	
B2517-AV	182/184	1162	685	610	535	45	295	8	33	10	6.250	9.45	1 1/2 x 1 x 9.45	M30	49	1.375	2.17	5/16 x 5/16 x 2.17	2165	
	213/215	1178	685	610	535	45	295	8	33	10	6.250	9.45	1 1/2 x 1 x 9.45	M30	49	1.375	2.17	5/16 x 5/16 x 2.17	2267	
	254/256	1197	685	610	535	45	295	8	33	10	6.250	9.45	1 1/2 x 1 x 9.45	M30	49	1.375	2.17	5/16 x 5/16 x 2.17	2271	
B2519-AV	284/286	1270	685	610	535	45	295	8	33	10	6.250	9.45	1 1/2 x 1 x 9.45	M30	49	1.750	2.76	3/8 x 3/8 x 2.56	2464	
B2619-AV	284/286	1380	750	660	570	50	360	8	39	10	6.625	11.81	1 3/4 x 1 1/4 x 11.8	M30	49	1.750	2.76	3/8 x 3/8 x 2.56	3026	
B2719-AV	284/286	1641	1160	1020	900	60	355	8	39	10	7.000	13.0	1 3/4 x 1 1/4 x 13	M30	52	1.750	2.76	3/8 x 3/8 x 2.56	5540	
A904-AV	56C	830	580	520	455	35	190	12	22	8	4.250	6.69	1 x 1 x 6.31	M20	34	.875	1.57	3/16 x 3/16 x 1.38	883	
	143/145	830	580	520	455	35	190	12	22	8	4.250	6.69	1 x 1 x 6.31	M20	34	.875	1.57	3/16 x 3/16 x 1.38	883	
	182/184	849	580	520	455	35	190	12	22	8	4.250	6.69	1 x 1 x 6.31	M20	34	.875	1.57	3/16 x 3/16 x 1.38	887	
	213/215	865	580	520	455	35	190	12	22	8	4.250	6.69	1 x 1 x 6.31	M20	34	.875	1.57	3/16 x 3/16 x 1.38	896	
A906-AV	182/184	894	580	520	455	35	190	12	22	8	4.250	6.69	1 x 1 x 6.31	M20	34	1.125	1.77	1/4 x 1/4 x 1.77	976	
	213/215	918	580	520	455	35	190	12	22	8	4.250	6.69	1 x 1 x 6.31	M20	34	1.125	1.77	1/4 x 1/4 x 1.77	981	
	254/256	929	580	520	455	35	190	12	22	8	4.250	6.69	1 x 1 x 6.31	M20	34	1.125	1.77	1/4 x 1/4 x 1.77	986	
A916-AV	182/184	994	650	590	520	40	242	12	22	10	4.625	8.28	1 1/4 x 7/8 x 7.88	M24	42	1.125	1.77	1/4 x 1/4 x 1.77	1285	
	213/215	1018	650	590	520	40	242	12	22	10	4.625	8.28	1 1/4 x 7/8 x 7.88	M24	42	1.125	1.77	1/4 x 1/4 x 1.77	1290	
	254/256	1029	650	590	520	40	242	12	22	10	4.625	8.28	1 1/4 x 7/8 x 7.88	M24	42	1.125	1.77	1/4 x 1/4 x 1.77	1295	
A917-AV	182/184	1018	650	590	520	40	242	12	22	10	4.625	8.28	1 1/4 x 7/8 x 7.88	M24	42	1.375	2.17	5/16 x 5/16 x 2.17	1350	
	213/215	1034	650	590	520	40	242	12	22	10	4.625	8.28	1 1/4 x 7/8 x 7.88	M24	42	1.375	2.17	5/16 x 5/16 x 2.17	1355	
	254/256	1053	650	590	520	40	242	12	22	10	4.625	8.28	1 1/4 x 7/8 x 7.88	M24	42	1.375	2.17	5/16 x 5/16 x 2.17	1365	
A928-AV	254/256	1271	880	800	680	50	252	12	33	10	5.500	9.84	1 1/4 x 7/8 x 9.66	M30	52	1.500	2.56	3/8 x 3/8 x 2.56	2535	
	284/286	1287	880	800	680	50	252	12	33	10	5.500	9.84	1 1/4 x 7/8 x 9.66	M30	52	1.500	2.56	3/8 x 3/8 x 2.56	2540	