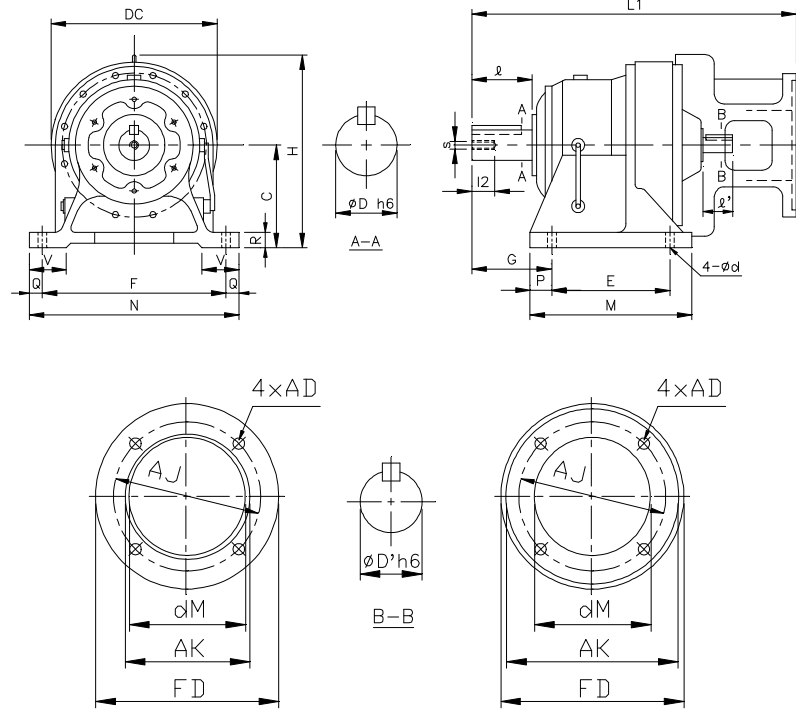


REDUCER w/ NEMA C-Face Adapter - AH

1 inch = 25.4 mm
All dimensions listed are for reference only.
Contact factory for certified dimensions.

INCH SHAFT - SINGLE STAGE
(Users Provide Own Couplings)



NEMA 56C, 143/145

NEMA 182/184 & above

DARALI Frame	Motor Frame	C-Face Adapter					Wt (lb)
		dM	AK	FD	AJ	AD	
B09-AH	56C	3.543	4.500	6.625	5.875	0.433	32
	143/145	3.543	4.500	6.625	5.875	0.433	32
B10-AH	56C	3.543	4.500	6.625	5.875	0.433	36
	143/145	3.543	4.500	6.625	5.875	0.433	36
B11-AH	56C	3.543	4.500	6.625	5.875	0.472	62
	143/145	3.543	4.500	6.625	5.875	0.472	62
	182/184	4.724	8.500	8.878	7.250	0.551	66
B11-AH	56C	3.543	4.500	6.625	5.875	0.472	64
	143/145	3.543	4.500	6.625	5.875	0.472	64
	182/184	4.724	8.500	8.878	7.250	0.551	70
B13-AH	56C	3.543	4.500	6.625	5.875	0.472	107
	143/145	3.543	4.500	6.625	5.875	0.472	107
	182/184	5.276	8.500	8.878	7.250	0.551	111
	213/215	5.276	8.500	8.878	7.250	0.551	117
B14-AH	56C	3.543	4.500	6.625	5.875	0.472	109
	143/145	3.543	4.500	6.625	5.875	0.472	109
	182/184	5.276	8.500	8.878	7.250	0.551	113
	213/215	5.276	8.500	8.878	7.250	0.551	119
B15-AH	56C	3.543	4.500	6.625	5.875	0.472	114
	143/145	3.543	4.500	6.625	5.875	0.472	114
	182/184	5.276	8.500	8.878	7.250	0.551	118
	213/215	5.276	8.500	8.878	7.250	0.551	124
B16-AH	182/184	5.315	8.500	8.878	7.250	0.551	231
	213/215	5.315	8.500	9.000	7.250	0.551	237
	254/256	5.315	8.500	9.626	7.250	0.551	237
B17-AH	182/184	5.315	8.500	8.878	7.250	0.551	303
	213/215	5.315	8.500	9.000	7.250	0.551	309
	254/256	5.315	8.500	9.626	7.250	0.551	309
B18-AH	254/256	5.354	8.500	9.626	7.250	0.551	387
	284/286	5.354	10.500	11.000	9.000	0.551	394
B19-AH	284/286	6.614	10.500	11.000	9.000	0.551	600

DARALI Frame	Motor Frame	Dim. in mm														Dim. in inch				Dim. in inch			
		C	DC	E	F	G	H	L1	M	N	P	Q	R	V	d	D	I	Key	s	I2	D'	I'	Key
B09-AH	56C	100	150	90	150	75	175	284	130	180	15	15	17	40	11	1.125	1.97	1/4 x 1/4 x 1.18	M8	18	.625	.98	3/16 x 3/16 x .75
	143/145	100	150	90	150	75	175	284	130	180	15	15	17	40	11	1.125	1.97	1/4 x 1/4 x 1.18	M8	18	.625	.98	3/16 x 3/16 x .75
B10-AH	56C	100	150	90	150	75	175	291	135	180	15	15	17	40	11	1.125	1.97	1/4 x 1/4 x 1.18	M8	18	.625	.98	3/16 x 3/16 x .75
	143/145	100	150	90	150	75	175	291	135	180	15	15	17	40	11	1.125	1.97	1/4 x 1/4 x 1.18	M8	18	.625	.98	3/16 x 3/16 x .75
B11-AH	56C	120	204	115	190	82	222	326	155	230	20	20	21	55	14	1.500	2.17	3/8 x 3/8 x 1.77	M10	18	.750	1.38	3/16 x 3/16 x 1.02
	143/145	120	204	115	190	82	222	326	155	230	20	20	21	55	14	1.500	2.17	3/8 x 3/8 x 1.77	M10	18	.750	1.38	3/16 x 3/16 x 1.02
	182/184	120	204	115	190	82	222	345	155	230	20	20	21	55	14	1.500	2.17	3/8 x 3/8 x 1.77	M10	18	.750	1.38	3/16 x 3/16 x 1.02
B12-AH	56C	140	204	115	190	82	242	326	155	230	20	20	21	55	14	1.500	2.17	3/8 x 3/8 x 1.77	M10	18	.750	1.38	3/16 x 3/16 x 1.02
	143/145	140	204	115	190	82	242	326	155	230	20	20	21	55	14	1.500	2.17	3/8 x 3/8 x 1.77	M10	18	.750	1.38	3/16 x 3/16 x 1.02
	182/184	140	204	115	190	82	242	345	155	230	20	20	21	55	14	1.500	2.17	3/8 x 3/8 x 1.77	M10	18	.750	1.38	3/16 x 3/16 x 1.02
B13-AH	56C	150	230	145	290	100	265	388	195	330	25	20	27	65	18	1.875	2.76	1/2 x 1/2 x 2.17	M10	18	.875	1.57	3/16 x 3/16 x 1.38
	143/145	150	230	145	290	100	265	388	195	330	25	20	27	65	18	1.875	2.76	1/2 x 1/2 x 2.17	M10	18	.875	1.57	3/16 x 3/16 x 1.38
	182/184	150	230	145	290	100	265	407	195	330	25	20	27	65	18	1.875	2.76	1/2 x 1/2 x 2.17	M10	18	.875	1.57	3/16 x 3/16 x 1.38
	213/215	150	230	145	290	100	265	423	195	330	25	20	27	65	18	1.875	2.76	1/2 x 1/2 x 2.17	M10	18	.875	1.57	3/16 x 3/16 x 1.38
B14-AH	56C	150	230	145	290	120	265	408	195	330	25	20	27	65	18	1.875	3.54	1/2 x 1/2 x 2.17	M10	18	.875	1.57	3/16 x 3/16 x 1.38
	143/145	150	230	145	290	120	265	408	195	330	25	20	27	65	18	1.875	3.54	1/2 x 1/2 x 2.17	M10	18	.875	1.57	3/16 x 3/16 x 1.38
	182/184	150	230	145	290	120	265	427	195	330	25	20	27	65	18	1.875	3.54	1/2 x 1/2 x 2.17	M10	18	.875	1.57	3/16 x 3/16 x 1.38
	213/215	150	230	145	290	120	265	443	195	330	25	20	27	65	18	1.875	3.54	1/2 x 1/2 x 2.17	M10	18	.875	1.57	3/16 x 3/16 x 1.38
B15-AH	56C	160	230	145	290	120	275	408	195	330	25	20	27	70	18	1.875	3.54	1/2 x 1/2 x 2.17	M10	18	.875	1.57	3/16 x 3/16 x 1.38
	143/145	160	230	145	290	120	275	408	195	330	25	20	27	70	18	1.875	3.54	1/2 x 1/2 x 2.17	M10	18	.875	1.57	3/16 x 3/16 x 1.38
	182/184	160	230	145	290	120	275	427	195	330	25	20	27	70	18	1.875	3.54	1/2 x 1/2 x 2.17	M10	18	.875	1.57	3/16 x 3/16 x 1.38
	213/215	160	230	145	290	120	275	443	195	330	25	20	27	70	18	1.875	3.54	1/2 x 1/2 x 2.17	M10	18	.875	1.57	3/16 x 3/16 x 1.38
B16-AH	182/184	160	318	150	370	139	319	499	238	410	44	20	30	75	18	2.250	3.54	1/2 x 1/2 x 2.95	M10	18	1.125	1.77	1/4 x 1/4 x 1.77
	213/215	160	318	150	370	139	319	523	238	410	44	20	30	75	18	2.250	3.54	1/2 x 1/2 x 2.95	M10	18	1.125	1.77	1/4 x 1/4 x 1.77
	254/256	160	318	150	370	139	319	534	238	410	44	20	30	75	18	2.250	3.54	1/2 x 1/2 x 2.95	M10	18	1.125	1.77	1/4 x 1/4 x 1.77
B17-AH	182/184	200	362	275	380	125	381	563	335	430	30	25	32	80	22	2.750	3.54	5/8 x 5/8 x 3.15	M12	24	1.375	2.17	5/16 x 5/16 x 2.17
	213/215	200	362	275	380	125	381	579	335	430	30	25	32	80	22	2.750	3.54	5/8 x 5/8 x 3.15	M12	24	1.375	2.17	5/16 x 5/16 x 2.17
	254/256	200	362	275	380	125	381	598	335	430	30	25	32	80	22	2.750	3.54	5/8 x 5/8 x 3.15	M12	24	1.375	2.17	5/16 x 5/16 x 2.17
B18-AH	254/256	220	390	320	420	145	415	648	380	470	30	25	33	85	22	3.125	4.33	3/4 x 3/4 x 3.74	M12	24	1.500	2.56	3/8 x 3/8 x 2.56
	284/286	220	390	320	420	145	415	664	380	470	30	25	33	85	22	3.125	4.33	3/4 x 3/4 x 3.74	M12	24	1.500	2.56	3/8 x 3/8 x 2.56
B19-AH	284/286	250	451	380	480	170	476	757	440	530	30	25	40	90	26	3.625	5.31	7/8 x 7/8 x 4.92	M20	34	1.750	2.76	3/8 x 3/8 x 2.56