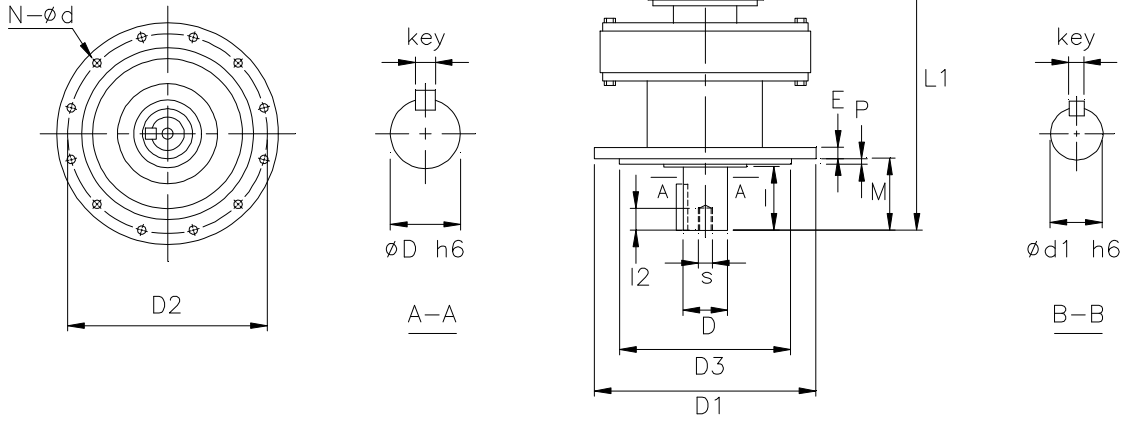


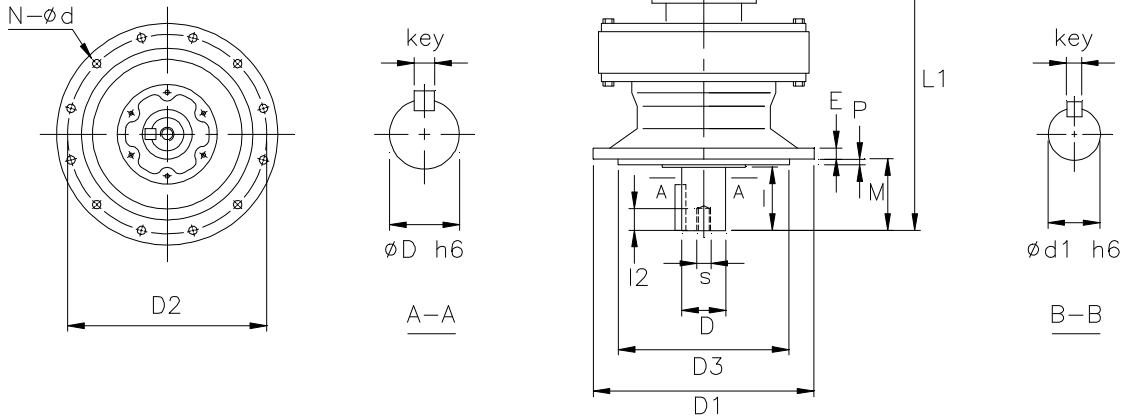
# REDUCER - XV

1 inch = 25.4 mm  
 All dimensions listed are for reference only.  
 Contact factory for certified dimensions.

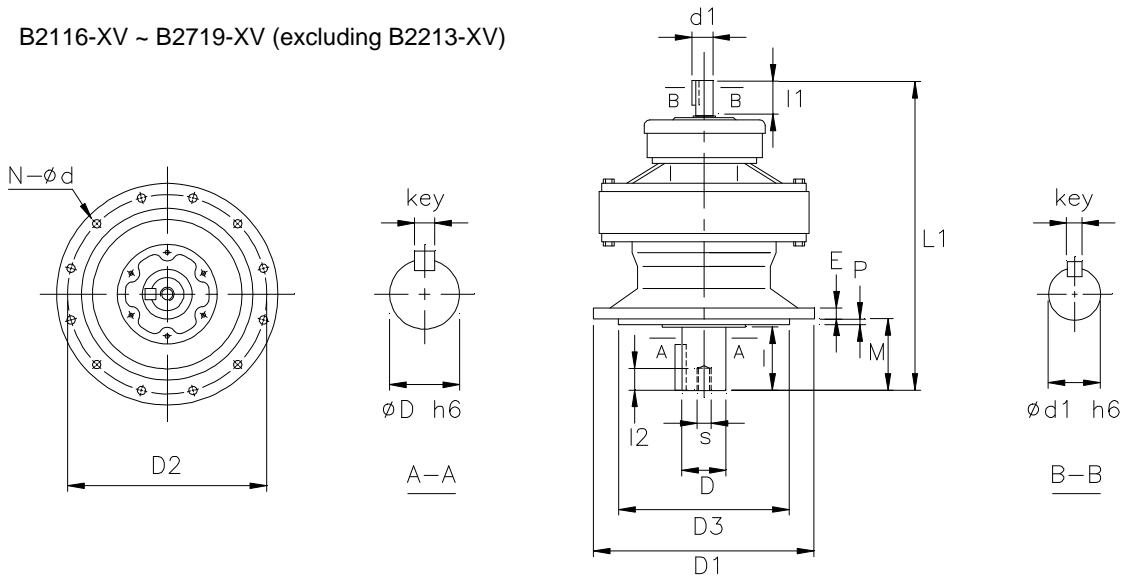
B0707-XV ~ B1109-XV



B1310-XV ~ B2113-XV, B2213-XV



B2116-XV ~ B2719-XV (excluding B2213-XV)



# REDUCER - XV

1 inch = 25.4 mm  
All dimensions listed are for reference only.  
Contact factory for certified dimensions.

## INCH SHAFT - DOUBLE STAGE

FRAME SIZE	Dim. in mm									Dim. in inch					Dim. in inch			Wt (lb)
	L1	D1	D2	D3	E	M	N	d	P	Output Shaft			Input Shaft					
										D	I	Key	s	I2	d1	I1	Key	
B0707-XV	178	120	102	80	8	34	6	9	3	.500	0.98	1/8 x 1/8 x .79	M6	12	.500	.98	1/8 x 1/8 x .71	9
B0807-XV	184	160	134	110	9	42	4	11	3	.750	1.18	3/16 x 3/16 x 1.06	M6	12	.500	.98	1/8 x 1/8 x .71	10
B0908-XV	258	160	134	110	9	63	4	11	3	1.125	1.97	1/4 x 1/4 x 1.18	M8	18	.500	.98	1/8 x 1/8 x .71	26
B1008-XV	272	160	134	110	9	63	4	11	3	1.125	1.97	1/4 x 1/4 x 1.18	M8	18	.500	.98	1/8 x 1/8 x .71	33
B1109-XV	312	210	180	140	13	69	6	11	4	1.500	2.17	3/8 x 3/8 x 1.77	M10	18	.625	.98	3/16 x 3/16 x .75	64
B1310-XV	369	260	230	200	15	76	6	11	4	1.875	2.76	1/2 x 1/2 x 2.17	M10	18	.625	.98	3/16 x 3/16 x .75	101
B1409-XV	383	260	230	200	15	96	6	11	4	1.875	3.54	1/2 x 1/2 x 2.17	M10	18	.625	.98	3/16 x 3/16 x .75	99
B1611-XV	462	340	310	270	20	89	6	11	4	2.250	3.54	1/2 x 1/2 x 2.95	M10	18	.750	1.38	3/16 x 3/16 x 1.02	209
B1711-XV	509	400	360	316	22	94	8	14	5	2.750	3.54	5/8 x 5/8 x 3.15	M12	24	.750	1.38	3/16 x 3/16 x 1.02	282
B1813-XV	577	430	390	345	22	110	8	18	5	3.125	4.33	3/4 x 3/4 x 3.74	M12	24	.875	1.57	3/16 x 3/16 x 1.38	408
B1911-XV	629	490	450	400	30	145	12	18	6	3.625	5.31	7/8 x 7/8 x 4.92	M20	34	.750	1.38	3/16 x 3/16 x 1.02	529
B1913-XV	653	490	450	400	30	145	12	18	6	3.625	5.31	7/8 x 7/8 x 4.92	M20	34	.875	1.57	3/16 x 3/16 x 1.38	551
B2011-XV	670	455	405	355	30	204	8	22	5	3.875	6.50	1 x 1 x 6.50	M20	34	.750	1.38	3/16 x 3/16 x 1.02	573
B2013-XV	705	455	405	355	30	204	8	22	5	3.875	6.50	1 x 1 x 6.50	M20	34	.875	1.57	3/16 x 3/16 x 1.38	595
B2113-XV	731	490	440	390	35	203	8	24	7	4.250	6.50	1 x 1 x 6.50	M20	34	.875	1.57	3/16 x 3/16 x 1.38	794
B2116-XV	780	490	440	390	35	203	8	24	7	4.250	6.50	1 x 1 x 6.50	M20	34	1.125	1.77	1/4 x 1/4 x 1.77	838
B2213-XV	773	535	475	415	35	210	8	27	10	4.625	6.50	1 1/4 x 7/8 x 6.50	M20	34	.875	1.57	3/16 x 3/16 x 1.38	794
B2217-XV	860	535	475	415	35	210	8	27	10	4.625	6.50	1 1/4 x 7/8 x 6.50	M20	34	1.375	2.17	5/16 x 5/16 x 2.17	1058
B2316-XV	883	570	510	450	40	250	8	27	10	5.000	7.87	1 1/4 x 7/8 x 7.87	M24	41	1.125	1.77	1/4 x 1/4 x 1.77	1213
B2318-XV	938	570	510	450	40	250	8	27	10	5.000	7.87	1 1/4 x 7/8 x 7.87	M24	41	1.500	2.56	3/8 x 3/8 x 2.56	1279
B2416-XV	921	635	560	485	40	250	8	33	10	5.500	7.87	1 1/4 x 7/8 x 7.87	M24	41	1.125	1.77	1/4 x 1/4 x 1.77	1455
B2418-XV	975	635	560	485	40	250	8	33	10	5.500	7.87	1 1/4 x 7/8 x 7.87	M24	41	1.500	2.56	3/8 x 3/8 x 2.56	1521
B2517-XV	1081	685	610	535	45	295	8	33	10	6.250	9.45	1 1/2 x 1 x 9.45	M30	49	1.375	2.17	5/16 x 5/16 x 2.17	2227
B2519-XV	1133	685	610	535	45	295	8	33	10	6.250	9.45	1 1/2 x 1 x 9.45	M30	49	1.750	2.76	3/8 x 3/8 x 2.56	2403
B2619-XV	1243	750	660	570	50	360	8	39	10	6.625	11.81	1 3/4 x 1 1/4 x 11.81	M30	49	1.750	2.76	3/8 x 3/8 x 2.56	2954
B2719-XV	1504	1160	1020	900	60	355	8	39	10	7.000	13.0	1 3/4 x 1 1/4 x 13	M30	52	1.750	2.76	3/8 x 3/8 x 2.56	5467
A904-XV	763	580	520	455	35	190	12	22	8	4.250	6.69	1 x 1 x 6.31	M20	34	.875	1.57	3/16 x 3/16 x 1.38	849
A906-XV	810	580	520	455	35	190	12	22	8	4.250	6.69	1 x 1 x 6.31	M20	34	1.125	1.77	1/4 x 1/4 x 1.77	904
A916-XV	910	650	590	520	40	242	12	22	10	4.625	8.28	1 1/4 x 7/8 x 7.88	M24	42	1.125	1.77	1/4 x 1/4 x 1.77	1325
A917-XV	937	650	590	520	40	242	12	22	10	4.625	8.28	1 1/4 x 7/8 x 7.88	M24	42	1.375	2.17	5/16 x 5/16 x 2.17	1370
A928-XV	1158	880	800	680	50	252	12	33	10	5.500	9.84	1 1/4 x 7/8 x 9.66	M30	52	1.500	2.56	3/8 x 3/8 x 2.56	2580

## METRIC SHAFT - DOUBLE STAGE

FRAME SIZE	Dim. in mm									Dim. in mm					Dim. in mm			Wt (kg)
	L1	D1	D2	D3	E	M	N	d	P	Output Shaft			Input Shaft					
										D	I	Key	s	I2	d1	I1	Key	
B0707-XV	178	120	102	80	8	34	6	9	3	14	25	5 x 5 x 20	M6	12	12	25	4 x 4 x 18	4
B0807-XV	184	160	134	110	9	42	4	11	3	18	30	6 x 6 x 25	M6	12	12	25	4 x 4 x 18	5
B0908-XV	258	160	134	110	9	63	4	11	3	28	50	8 x 7 x 32	M8	18	12	25	4 x 4 x 18	12
B1008-XV	272	160	134	110	9	63	4	11	3	28	50	8 x 7 x 32	M8	18	12	25	4 x 4 x 18	15
B1109-XV	312	210	180	140	13	69	6	11	4	38	55	10 x 8 x 50	M10	18	15	25	5 x 5 x 17	29
B1310-XV	369	260	230	200	15	76	6	11	4	50	70	14 x 9 x 56	M10	18	15	25	5 x 5 x 17	46
B1409-XV	383	260	230	200	15	96	6	11	4	50	90	14 x 9 x 80	M10	18	15	25	5 x 5 x 17	45
B1611-XV	462	340	310	270	20	89	6	11	4	60	90	18 x 11 x 80	M10	18	18	35	6 x 6 x 25	95
B1711-XV	509	400	360	316	22	94	8	14	5	70	90	20 x 12 x 80	M12	24	18	35	6 x 6 x 25	128
B1813-XV	577	430	390	345	22	110	8	18	5	80	110	22 x 14 x 100	M12	24	22	40	6 x 6 x 32	185
B1911-XV	629	490	450	400	30	145	12	18	6	95	135	25 x 14 x 125	M20	34	18	35	6 x 6 x 25	240
B1913-XV	653	490	450	400	30	145	12	18	6	95	135	25 x 14 x 125	M20	34	22	40	6 x 6 x 32	250
B2011-XV	670	455	405	355	30	204	8	22	5	100	165	28 x 16 x 165	M20	34	18	35	6 x 6 x 25	260
B2013-XV	705	455	405	355	30	204	8	22	5	100	165	28 x 16 x 165	M20	34	22	40	6 x 6 x 32	270
B2113-XV	731	490	440	390	35	203	8	24	7	110	165	28 x 16 x 165	M20	34	22	40	6 x 6 x 32	360
B2116-XV	780	490	440	390	35	203	8	24	7	110	165	28 x 16 x 165	M20	34	30	45	8 x 7 x 45	380
B2213-XV	773	535	475	415	35	210	8	27	10	120	165	32 x 18 x 165	M20	34	22	40	6 x 6 x 32	360
B2217-XV	860	535	475	415	35	210	8	27	10	120	165	32 x 18 x 165	M20	34	35	55	10 x 8 x 55	480
B2316-XV	883	570	510	450	40	250	8	27	10	130	200	32 x 18 x 200	M24	41	30	45	8 x 7 x 45	550
B2318-XV	938	570	510	450	40	250	8	27	10	130	200	32 x 18 x 200	M24	41	40	65	12 x 8 x 45	580
B2416-XV	921	635	560	485	40	250	8	33	10	140	200	36 x 20 x 200	M24	41	30	45	8 x 7 x 45	660
B2418-XV	975	635	560	485	40	250	8	33	10	140	200	36 x 20 x 200	M24	41	40	65	12 x 8 x 45	690
B2517-XV	1081	685	610	535	45	295	8	33	10	160	240	40 x 22 x 240	M30	49	35	55	10 x 8 x 55	1010
B2519-XV	1133	685	610	535	45	295	8	33	10	160	240	40 x 22 x 240	M30	49	45	70	14 x 9 x 70	1090
B2619-XV	1243	750	660	570	50	360	8	39	10	170	300	40 x 22 x 300	M30	49	45	70	14 x 9 x 70	1340
B2719-XV	1504	1160	1020	900	60	355	8	39	10	180	330	45 x 25 x 330	M30	52	45	70	14 x 9 x 70	2480
A904-XV	763	580	520	455	35	190	12	22	8	110	170	28 x 18 x 155	M20	34	22	40	6 x 6 x 32	385
A906-XV	810	580	520	455	35	190	12	22	8	110	170	28 x 18 x 155	M20	34	30	45	8 x 7 x 45	410
A916-XV	910	650	590	520	40	242	12	22	10	120	210	32 x 20 x 195	M24	42	30	45	8 x 7 x 45	601
A917-XV	937	650	590	520	40	242	12	22	10	120	210	32 x 20 x 195	M24	42	35	55	10 x 8 x 55	621
A928-XV	1158	880	800	680	50	252	12	33	10	140	250	35 x 22 x 230	M30	52	40	65	12 x 8 x 45	1170