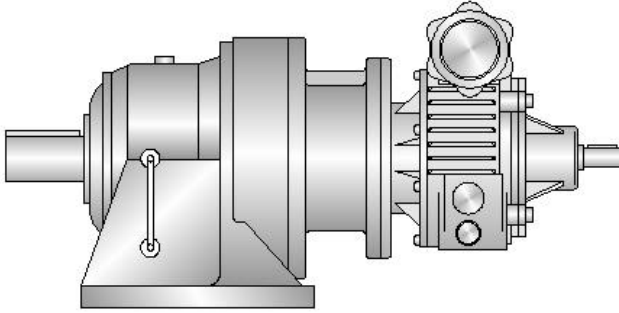
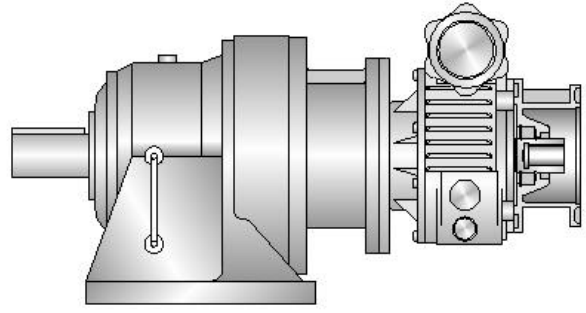


REDUCER w/ Variator Input - DH__

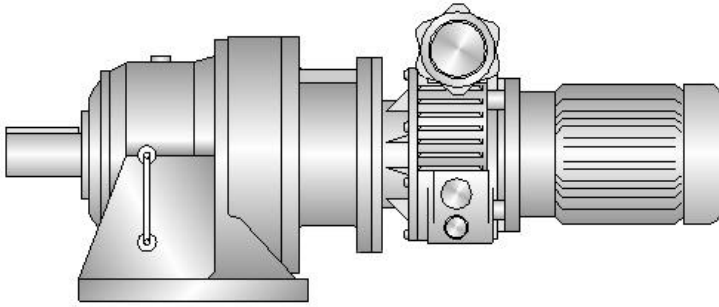
1 inch = 25.4 mm
All dimensions listed are for reference only.
Contact factory for certified dimensions.



Variator w/ Free Input Shaft - _AC



Variator w/ Quill Style NEMA C-Face Input - _ACQ



Variator w/ Integral Gearmotor Input - _ACM



◆ The NEMA C-Face output of the DISCO Variator is easily adapted with the quill style c-face input of the DARALI® DRIVES Cycloidal Reducer.

◆ Simple installation and handling w/ concentric configuration. Eliminates tall cumbersome drive package. Low profile allows it to fit into tight space.

◆ Diversified input options include 1). Free Input Shaft 2). Quill Style C-Face Input 3). Integral Gearmotor.

◆ Wide range of horse power ratings from 1/4 hp to 10 hp.

◆ Together with the 6X variation range of the DARALI® DISCO Variator, you can enjoy the speed variation range between 9:1~54:1 to 130.5:1~783:1 on a single stage of DARALI® DRIVES Cycloidal Reducer. By utilizing double stage DARALI® DRIVES Cycloidal Reducer, you may apply this reducer/variator combination up to 11353.5:1~68121:1 reduction variation range.

◆ DARALI® DISCO Variators deliver high torque at low speeds. In addition, the motor is always running at full speed; you will always enjoy maximum ventilating effect.

◆ The DARALI® DISCO VARIATOR is an all mechanical speed variator that is inherently explosion-proof. Just add an explosion proof motor, and you can have adjustable speed operation in an explosive environment.

Reducer Frame Size	Variator Hp	Part Number Suffix		
		Free Input	Quill Input	Gearmotor
B09	1/4	02AC	02ACQ	02ACM
B09	1/2	05AC	05ACQ	05ACM
B10	1/2	05AC	05ACQ	05ACM
B10	1	1AC	1ACQ	1ACM
B11	1	1AC	1ACQ	1ACM
B11	2	2AC	2ACQ	2ACM
B13	2	2AC	2ACQ	2ACM
B13	3	3AC	3ACQ	3ACM
B13	5	5AC	5ACQ	5ACM
B14	3	3AC	3ACQ	3ACM
B14	5	5AC	5ACQ	5ACM
B16	3	3AC	3ACQ	3ACM
B16	5	5AC	5ACQ	5ACM
B16	7.5	8AC	8ACQ	8ACM
B16	10	10AC	10ACQ	10ACM

- Use the **Part Number Suffix** above to construct the part number for the speed reducer with variator input.

EXAMPLE:

B13-87:1-DHH-2AC (variator input w/ free input shaft)

B13-87:1-DHH-2ACQ (variator input w/ quill style input)

B13-87:1-DHH-2ACM (variator input w/ integral gearmotor)

All three part numbers above have 2 hp variator input with various input styles on the variator.