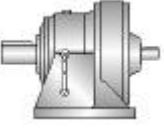

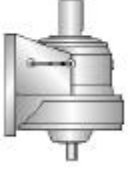



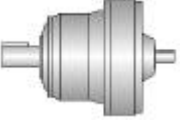




# Product Configurations



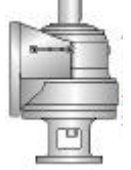






◆ DARALI® DRIVES offer numerous input methods and various mounting styles. Together with different orientations of output shaft, our wide range of product configurations virtually meets all of your application requirements.

◆ Locate the product configuration from the chart below. Go to the appropriate page for detailed product dimensions. For torque ratings, please refer to page 23 ~ page 40.

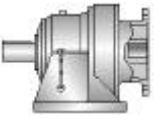
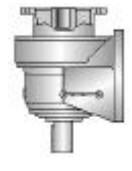
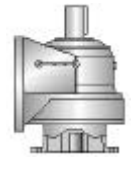
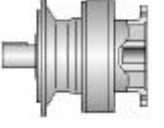
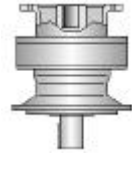
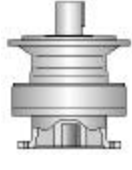
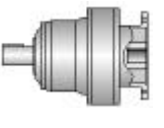

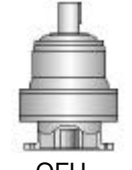
## ① Free Input Shaft

 XHH Page 49	 XHD Page 49	 XHU Page 49
 XVH Page 53	 XVD Page 53	 XVU Page 53
 XFH Page 57	 XFD Page 57	 XFU Page 57

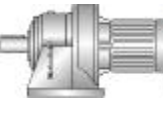
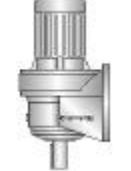
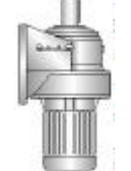
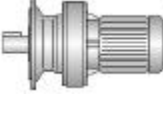


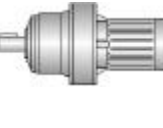


## ② Coupling Style C-Face Adapter

 AHH Page 59	 AHD Page 59	 AHU Page 59
 AVH Page 63	 AVD Page 63	 AVU Page 63
 AFH Page 67	 AFD Page 67	 AFU Page 67

## ③ Quill Style C-Face Adapter

 QHH / JPHH Page 69 / 75	 QHD / JPHD Page 69 / 75	 QHU / JPHU Page 69 / 75
 QVH / JPVH Page 71 / 76	 QVD / JPVD Page 71 / 76	 QVU / JPVU Page 71 / 76
 QFH Page 73	 QFD Page 73	 QFU Page 73

## ④ Integral Gearmotor

 MHH Page 81	 MHD Page 81	 MHU Page 81
 MVH Page 95	 MVD Page 95	 MVU Page 95
 MFH Page 109	 MFD Page 109	 MFU Page 109