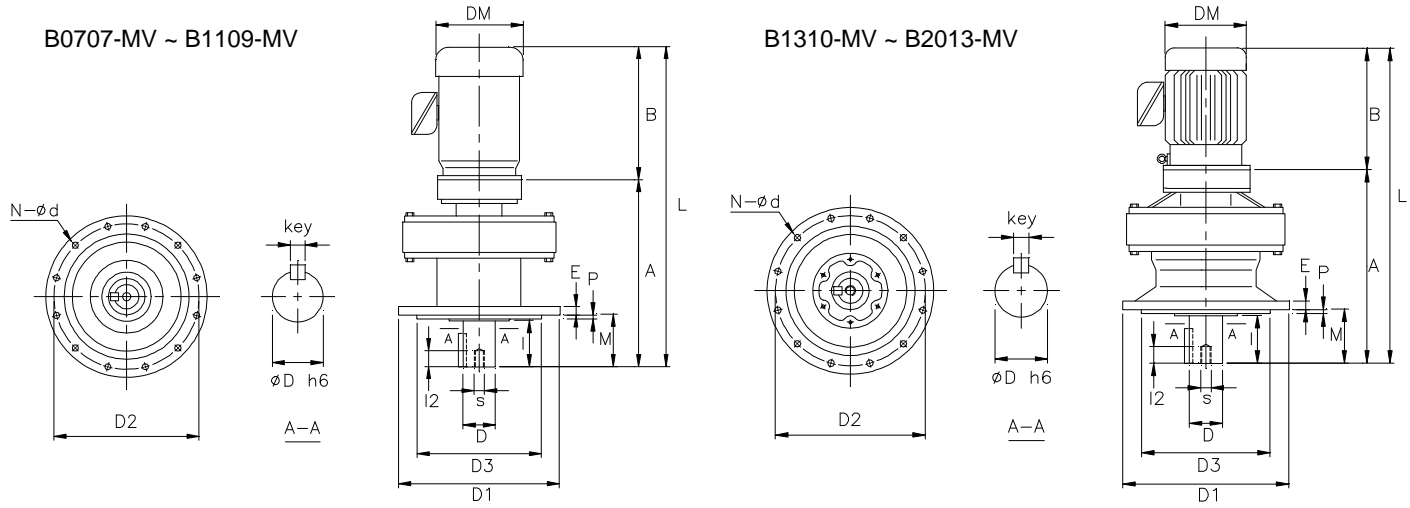


INTEGRAL GEARMOTOR - MV

1 inch = 25.4 mm
All dimensions listed are for reference only.
Contact factory for certified dimensions.

INCH SHAFT - DOUBLE STAGE

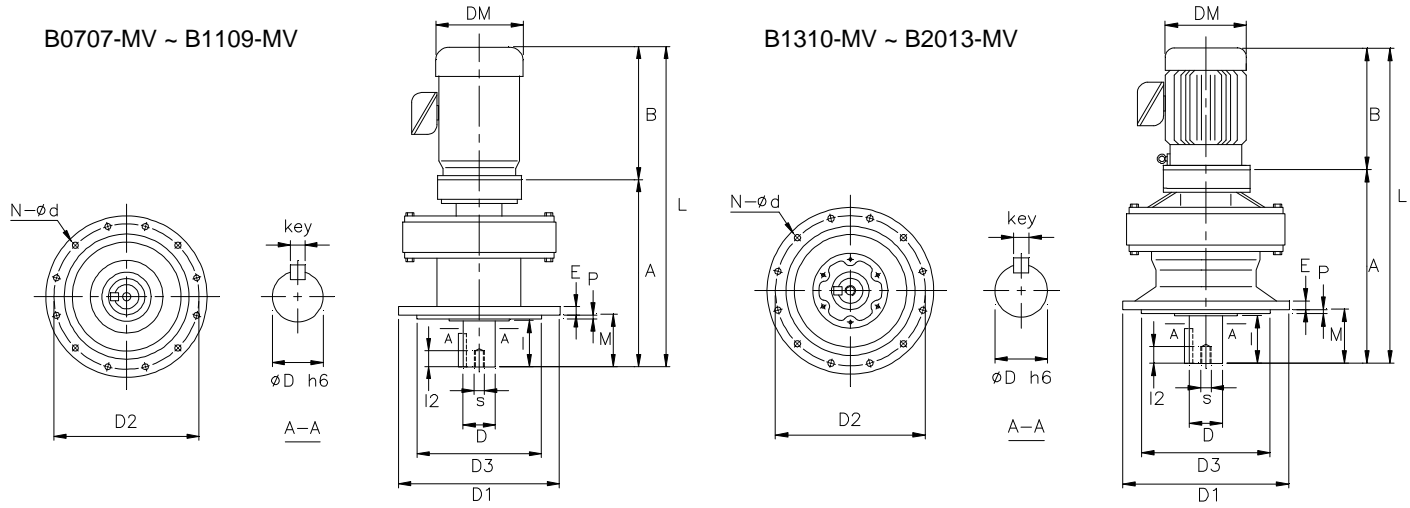


FRAME SIZE	Dim. in mm													Dim. in inch				Wt (lb)
	B	A	DM	D1	D2	D3	E	L	M	N	d	P	Output Shaft		Key			
													D	I	D	s	I2	
B0707-(1/8M)V	200	125	130	120	102	80	8	325	34	6	9	3	.500	0.98	1/8 x 1/8 x .79	M6	12	20
B0807-(1/8M)V	200	131	130	160	134	110	9	331	42	4	11	3	.750	1.18	3/16 x 3/16 x 1.06	M6	12	22
B0908-(1/8M)V	200	205	130	160	134	110	9	405	63	4	11	3	1.125	1.97	1/4 x 1/4 x 1.18	M8	18	37
B0908-(1/4M)V	218	205	144					423										40
B1008-(1/8M)V	200	219	130					419										42
B1008-(1/4M)V	218	219	144	160	134	110	9	437	63	4	11	3	1.125	1.97	1/4 x 1/4 x 1.18	M8	18	44
B1008-(1/2M)V	238	219	162					457										49
B1109-(1/8M)V	200	252	130					452										66
B1109-(1/4M)V	218	252	144	210	180	140	13	470	69	6	11	4	1.500	2.17	3/8 x 3/8 x 1.77	M10	18	79
B1109-(1/2M)V	238	252	162					490										84
B1310-(1M)V	248	317	177	260	230	200	15	565	76	6	11	4	1.875	2.76	1/2 x 1/2 x 2.17	M10	18	121
B1310-(2M)V	285	317	200					602										130
B1409-(1/4M)V	218	323	144					541										108
B1409-(1/2M)V	238	323	162	260	230	200	15	561	96	6	11	4	1.875	3.54	1/2 x 1/2 x 2.17	M10	18	112
B1409-(1M)V	248	323	177					571										117
B1611-(3M)V	316	389	219	340	310	270	20	705	89	6	11	4	2.250	3.54	1/2 x 1/2 x 2.95	M10	18	243
B1611-(5M)V	346	389	238					735										282
B1711-(3M)V	317	436	219	400	360	316	22	753	94	8	14	5	2.750	3.54	5/8 x 5/8 x 3.15	M12	24	320
B1711-(5M)V	347	436	238					783										359
B1813-(3M)V	319	496	219					815										432
B1813-(5M)V	349	496	238	430	390	345	22	845	110	8	18	5	3.125	4.33	3/4 x 3/4 x 3.74	M12	24	472
B1813-(8M)V	394	496	273					890										514
B1813-(10M)V	434	496	273					930										540
B1911-(1M)V	248	556	177					804										549
B1911-(2M)V	285	556	200	490	450	400	30	841	145	12	18	6	3.625	5.31	7/8 x 7/8 x 4.92	M20	34	558
B1911-(3M)V	315	556	219					871										569
B1911-(5M)V	442	556	238					998										606
B1913-(3M)V	315	572	219					887										584
B1913-(5M)V	345	572	238	490	450	400	30	917	145	12	18	6	3.625	5.31	7/8 x 7/8 x 4.92	M20	34	622
B1913-(8M)V	399	572	273					971										666
B1913-(10M)V	437	572	273					1009										694
B2011-(1M)V	248	597	177	455	405	355	30	845	204	8	22	5	3.875	6.50	1 x 1 x 6.50	M20	34	591
B2011-(2M)V	285	597	200					882										600
B2013-(2M)V	285	624	200					909										628
B2013-(3M)V	315	624	219	455	405	355	30	939	204	8	22	5	3.875	6.50	1 x 1 x 6.50	M20	34	635
B2013-(5M)V	345	624	238					969										675

INTEGRAL GEARMOTOR - MV

1 inch = 25.4 mm
All dimensions listed are for reference only.
Contact factory for certified dimensions.

METRIC SHAFT - DOUBLE STAGE



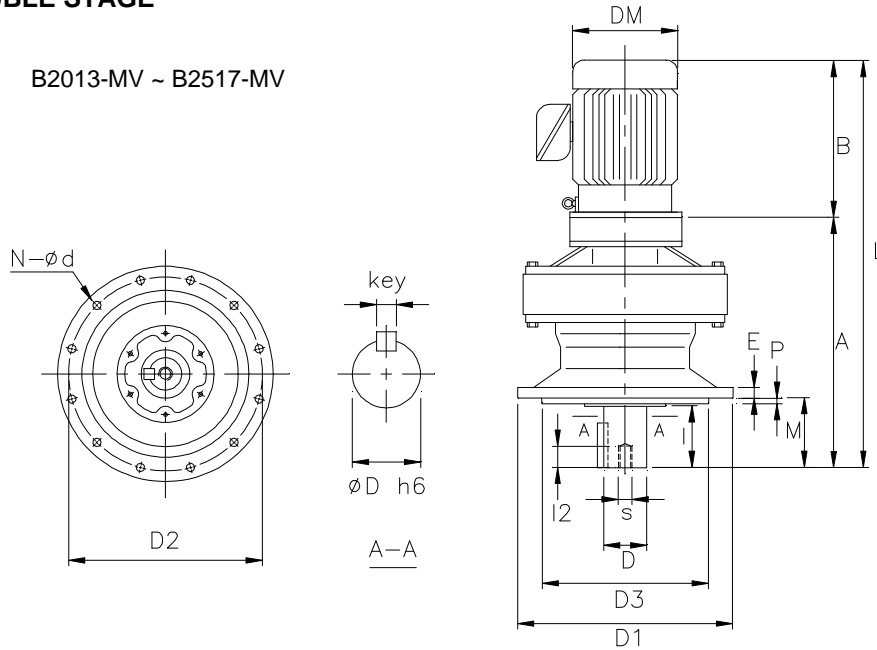
FRAME SIZE	Dim. in mm													Output Shaft				Wt (kg)
	B	A	DM	D1	D2	D3	E	L	M	N	d	P	D	I	Key	s	I2	
B0707-(1/8M)V	200	125	130	120	102	80	8	325	34	6	9	3	14	25	5 x 5 x 20	M6	12	9
B0807-(1/8M)V	200	131	130	160	134	110	9	331	42	4	11	3	18	30	6 x 6 x 25	M6	12	10
B0908-(1/8M)V	200	205	130	160	134	110	9	405	63	4	11	3	28	50	8 x 7 x 32	M8	18	17
B0908-(1/4M)V	218	205	144					423										18
B1008-(1/8M)V	200	219	130					419							8 x 7 x 32	M8	18	19
B1008-(1/4M)V	218	219	144	160	134	110	9	437	63	4	11	3	28	50				20
B1008-(1/2M)V	238	219	162					457										22
B1109-(1/8M)V	200	252	130					452										30
B1109-(1/4M)V	218	252	144	210	180	140	13	470	69	6	11	4	38	55	10 x 8 x 50	M10	18	36
B1109-(1/2M)V	238	252	162					490										38
B1310-(1M)V	248	317	177	260	230	200	15	565	76	6	11	4	50	70	14 x 9 x 56	M10	18	55
B1310-(2M)V	285	317	200					602										59
B1409-(1/4M)V	218	323	144					541										49
B1409-(1/2M)V	238	323	162	260	230	200	15	561	96	6	11	4	50	90	14 x 9 x 80	M10	18	51
B1409-(1M)V	248	323	177					571										53
B1611-(3M)V	316	389	219	340	310	270	20	705	89	6	11	4	60	90	18 x 11 x 80	M10	18	110
B1611-(5M)V	346	389	238					735										128
B1711-(3M)V	317	436	219	400	360	316	22	753	94	8	14	5	70	90	20 x 12 x 80	M12	24	145
B1711-(5M)V	347	436	238					783										163
B1813-(3M)V	319	496	219					815										196
B1813-(5M)V	349	496	238	430	390	345	22	845	110	8	18	5	80	110	22 x 14 x 100	M12	24	214
B1813-(8M)V	394	496	273					890										233
B1813-(10M)V	434	496	273					930										245
B1911-(1M)V	248	556	177					804										249
B1911-(2M)V	285	556	200	490	450	400	30	841	145	12	18	6	95	135	25 x 14 x 125	M20	34	253
B1911-(3M)V	315	556	219					871										258
B1911-(5M)V	442	556	238					998										275
B1913-(3M)V	315	572	219					887										265
B1913-(5M)V	345	572	238	490	450	400	30	917	145	12	18	6	95	135	25 x 14 x 125	M20	34	282
B1913-(8M)V	399	572	273					971										302
B1913-(10M)V	437	572	273					1009										315
B2011-(1M)V	248	597	177	455	405	355	30	845	204	8	22	5	100	165	28 x 16 x 165	M20	34	268
B2011-(2M)V	285	597	200					882										272
B2013-(2M)V	285	624	200					909										285
B2013-(3M)V	315	624	219	455	405	355	30	939	204	8	22	5	100	165	28 x 16 x 165	M20	34	288
B2013-(5M)V	345	624	238					969										306

INTEGRAL GEARMOTOR - MV

1 inch = 25.4 mm
All dimensions listed are for reference only.
Contact factory for certified dimensions.

INCH SHAFT - DOUBLE STAGE

B2013-MV ~ B2517-MV



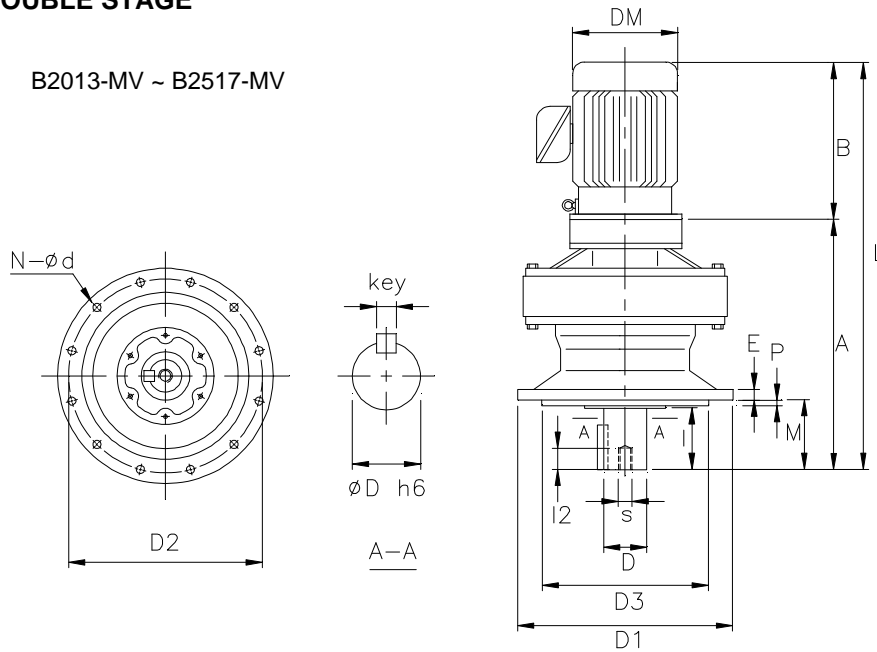
FRAME SIZE	Dim. in mm													Dim. in inch				Wt (lb)
	B	A	DM	D1	D2	D3	E	L	M	N	d	P	D	I	Key	s	I2	
B2013-(8M)V	389	624	273	455	405	355	30	1013	204	8	22	5	3.875	6.50	1 x 1 x 6.50	M20	34	716
B2013-(10M)V	427	624	273					1051										743
B2113-(2M)V	285	650	200					935										805
B2113-(3M)V	315	650	219					965										811
B2113-(5M)V	345	650	238	490	440	390	35	995	203	8	24	7	4.250	6.50	1 x 1 x 6.50	M20	34	853
B2113-(8M)V	389	650	273					1039										893
B2113-(10M)V	427	650	273					1077										922
B2116-(10M)V	427	675	273	490	440	390	35	1102	203	8	24	7	4.250	6.50	1 x 1 x 6.50	M20	34	959
B2116-(15M)V	498	675	334					1173										1032
B2213-(2M)V	285	692	200					977										970
B2213-(3M)V	315	692	219					1007										981
B2213-(5M)V	345	692	238	535	475	415	35	1037	210	8	27	10	4.625	6.50	1 1/4 x 7/8 x 6.50	M20	34	1014
B2213-(8M)V	389	692	273					1081										1058
B2213-(10M)V	427	692	273					1119										1091
B2217-(8M)V	389	735	273					1124										1157
B2217-(10M)V	427	735	273	535	475	415	35	1162	210	8	27	10	4.625	6.50	1 1/4 x 7/8 x 6.50	M20	34	1186
B2217-(15M)V	498	735	334					1233										1254
B2217-(20M)V	542	735	334					1277										1296
B2316-(3M)V	317	778	219					1095										1237
B2316-(5M)V	347	778	238					1125										1279
B2316-(8M)V	392	778	273	570	510	450	40	1170	250	8	27	10	5.000	7.87	1 1/4 x 7/8 x 7.87	M24	41	1314
B2316-(10M)V	430	778	273					1208										1340
B2316-(15M)V	502	778	334					1280										1411
B2316-(20M)V	522	778	334					1300										1455
B2318-(30M)V	563	800	382	570	510	450	40	1363	250	8	27	10	5.000	7.87	1 1/4 x 7/8 x 7.87	M24	41	1675
B2416-(3M)V	319	816	219					1135										1477
B2416-(5M)V	349	816	238					1165										1510
B2416-(8M)V	394	816	273	635	560	485	40	1210	250	8	33	10	5.500	7.87	1 1/4 x 7/8 x 7.87	M24	41	1554
B2416-(10M)V	432	816	273					1248										1583
B2416-(15M)V	504	816	334					1320										1653
B2416-(20M)V	549	816	334					1365										1698
B2418-(20M)V	543	837	334					1380										1764
B2418-(25M)V	563	837	382	635	560	485	40	1400	250	8	33	10	5.500	7.87	1 1/4 x 7/8 x 7.87	M24	41	1896
B2418-(30M)V	563	837	382					1400										1896
B2517-(5M)V	349	956	238					1305										2293
B2517-(8M)V	394	956	273					1350										2337
B2517-(10M)V	429	956	273					1385										2359
B2517-(15M)V	499	956	334	685	610	535	45	1455	295	8	33	10	6.250	9.45	1 1/2 x 1 x 9.45	M30	49	2447
B2517-(20M)V	544	956	334					1500										2469
B2517-(25M)V	564	956	382					1520										2623
B2517-(30M)V	564	956	382					1520										2634

INTEGRAL GEARMOTOR - MV

1 inch = 25.4 mm
All dimensions listed are for reference only.
Contact factory for certified dimensions.

METRIC SHAFT - DOUBLE STAGE

B2013-MV ~ B2517-MV



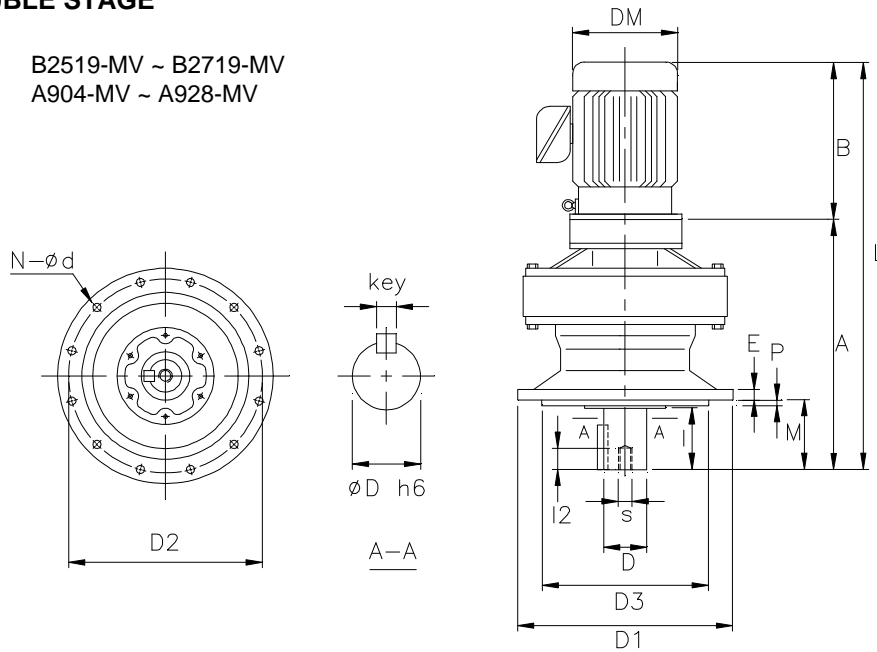
FRAME SIZE	Dim. in mm												Output Shaft				Wt (kg)	
	B	A	DM	D1	D2	D3	E	L	M	N	d	P	D	I	Key	s		I2
B2013-(8M)V	389	624	273	455	405	355	30	1013	204	8	22	5	100	165	28 x 16 x 165	M20	34	325
B2013-(10M)V	427	624	273					1051										337
B2113-(2M)V	285	650	200					935										365
B2113-(3M)V	315	650	219					965										368
B2113-(5M)V	345	650	238	490	440	390	35	995	203	8	24	7	110	165	28 x 16 x 165	M20	34	387
B2113-(8M)V	389	650	273					1039										405
B2113-(10M)V	427	650	273					1077										418
B2116-(10M)V	427	675	273	490	440	390	35	1102	203	8	24	7	110	165	28 x 16 x 165	M20	34	435
B2116-(15M)V	498	675	334					1173										468
B2213-(2M)V	285	692	200					977										440
B2213-(3M)V	315	692	219					1007										445
B2213-(5M)V	345	692	238	535	475	415	35	1037	210	8	27	10	120	165	32 x 18 x 165	M20	34	460
B2213-(8M)V	389	692	273					1081										480
B2213-(10M)V	427	692	273					1119										495
B2217-(8M)V	389	735	273					1124										525
B2217-(10M)V	427	735	273	535	475	415	35	1162	210	8	27	10	120	165	32 x 18 x 165	M20	34	538
B2217-(15M)V	498	735	334					1233										569
B2217-(20M)V	542	735	334					1277										588
B2316-(3M)V	317	778	219					1095										561
B2316-(5M)V	347	778	238					1125										580
B2316-(8M)V	392	778	273	570	510	450	40	1170	250	8	27	10	130	200	32 x 18 x 200	M24	41	596
B2316-(10M)V	430	778	273					1208										608
B2316-(15M)V	502	778	334					1280										640
B2316-(20M)V	522	778	334					1300										660
B2318-(30M)V	563	800	382	570	510	450	40	1363	250	8	27	10	130	200	32 x 18 x 200	M24	41	760
B2416-(3M)V	319	816	219					1135										670
B2416-(5M)V	349	816	238					1165										685
B2416-(8M)V	394	816	273	635	560	485	40	1210	250	8	33	10	140	200	36 x 20 x 200	M24	41	705
B2416-(10M)V	432	816	273					1248										718
B2416-(15M)V	504	816	334					1320										750
B2416-(20M)V	549	816	334					1365										770
B2418-(20M)V	543	837	334					1380										800
B2418-(25M)V	563	837	382	635	560	485	40	1400	250	8	33	10	140	200	36 x 20 x 200	M24	41	860
B2418-(30M)V	563	837	382					1400										860
B2517-(5M)V	349	956	238					1305										1040
B2517-(8M)V	394	956	273					1350										1060
B2517-(10M)V	429	956	273					1385										1070
B2517-(15M)V	499	956	334	685	610	535	45	1455	295	8	33	10	160	240	40 x 22 x 240	M30	49	1110
B2517-(20M)V	544	956	334					1500										1120
B2517-(25M)V	564	956	382					1520										1190
B2517-(30M)V	564	956	382					1520										1195

INTEGRAL GEARMOTOR - MV

1 inch = 25.4 mm
All dimensions listed are for reference only.
Contact factory for certified dimensions.

INCH SHAFT - DOUBLE STAGE

B2519-MV ~ B2719-MV
A904-MV ~ A928-MV



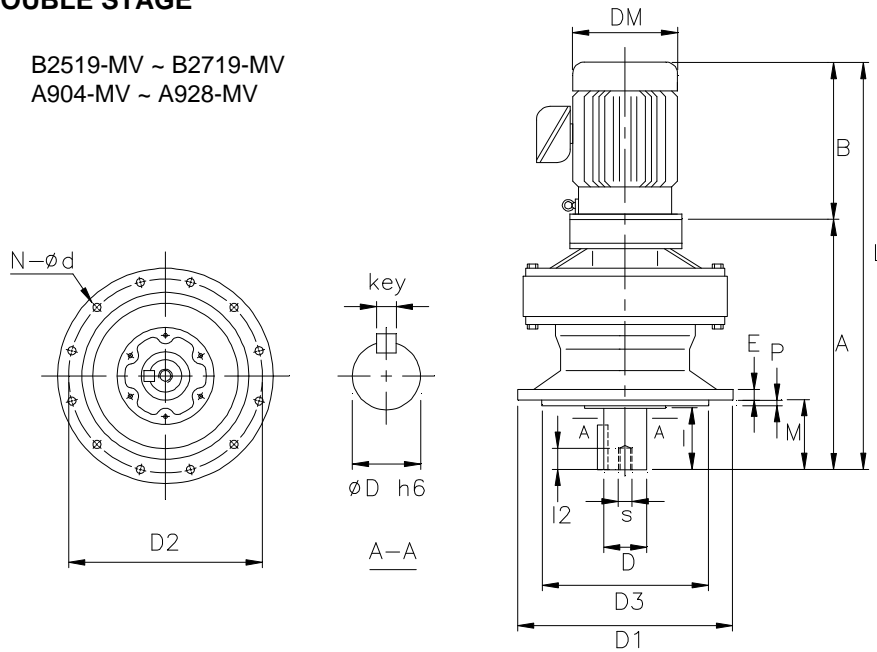
FRAME SIZE	Dim. in mm													Dim. in inch					Wt (lb)
	B	A	DM	D1	D2	D3	E	L	M	N	d	P	D	I	Key	s	I2		
B2519-(25M)V	562	978	382					1540										2789	
B2519-(30M)V	562	978	382	685	610	535	45	1540	295	8	33	10	6.250	9.45	1 1/2 x 1 x 9.45	M30	49	2800	
B2519-(40M)V	562	978	382					1540										2822	
B2619-(8M)V	392	1088	273					1480										3053	
B2619-(10M)V	432	1088	273					1520										3075	
B2619-(15M)V	502	1088	334					1590										3153	
B2619-(20M)V	546	1088	334	750	660	570	50	1634	360	8	39	10	6.625	11.81	1 3/4 x 1 1/4 x 11.8	M30	49	3197	
B2619-(25M)V	565	1088	382					1653										3351	
B2619-(30M)V	565	1088	382					1653										3351	
B2619-(40M)V	607	1088	382					1695										3384	
B2619-(50M)V	667	1088	420					1755										3461	
B2719-(8M)V	391	1349	273					1740										5556	
B2719-(10M)V	429	1349	273					1778										5578	
B2719-(15M)V	501	1349	334					1850										5666	
B2719-(20M)V	546	1349	334	1160	1020	900	60	1895	355	8	39	10	7.000	13.0	1 3/4 x 1 1/4 x 13	M30	52	5688	
B2719-(25M)V	566	1349	382					1915										5864	
B2719-(30M)V	566	1349	382					1915										5864	
B2719-(40M)V	601	1349	382					1950										5886	
B2719-(50M)V	661	1349	420					2010										5974	
A904-(2M)V	301	682	199					983										915	
A904-(3M)V	331	682	225	580	520	455	35	1013	190	12	22	8	4.250	6.69	1 x 1 x 6.31	M20	34	937	
A904-(5M)V	325	682	230					1007										959	
A904-(8M)V	357	682	275					1039										992	
A906-(8M)V	346	705	275					1051										1047	
A906-(10M)V	384	705	275	580	520	455	35	1089	190	12	22	8	4.250	6.69	1 x 1 x 6.31	M20	34	1080	
A906-(15M)V	462	705	316					1167										1135	
A916-(3M)V	331	805	225					1136										1290	
A916-(5M)V	335	805	230	650	590	520	40	1140	247	12	22	10	4.625	8.28	1 1/4 x 7/8 x 7.88	M24	42	1312	
A916-(8M)V	346	805	275					1151										1345	
A916-(10M)V	384	805	275					1189										1378	
A917-(10M)V	401	812	275					1213										1433	
A917-(15M)V	462	812	316	650	590	520	40	1274	247	12	22	10	4.625	8.28	1 1/4 x 7/8 x 7.88	M24	42	1488	
A917-(20M)V	506	812	316					1318										1532	
A928-(5M)V	337	1020	230					1357										2535	
A928-(8M)V	363	1020	275					1383										2579	
A928-(10M)V	401	1020	275	880	800	680	50	1421	252	12	33	10	5.500	9.84	1 1/4 x 7/8 x 9.66	M30	52	2623	
A928-(15M)V	467	1020	316					1487										2668	
A928-(20M)V	511	1020	316					1531										2712	
A928-(30M)V	602	1020	364					1622										2866	

INTEGRAL GEARMOTOR - MV

1 inch = 25.4 mm
All dimensions listed are for reference only.
Contact factory for certified dimensions.

METRIC SHAFT - DOUBLE STAGE

B2519-MV ~ B2719-MV
A904-MV ~ A928-MV



FRAME SIZE	Dim. in mm													Output Shaft					Wt (kg)
	B	A	DM	D1	D2	D3	E	L	M	N	d	P	D	I	Key	s	I2		
B2519-(25M)V	562	978	382					1540										1265	
B2519-(30M)V	562	978	382	685	610	535	45	1540	295	8	33	10	160	240	40 x 22 x 240	M30	49	1270	
B2519-(40M)V	562	978	382					1540										1280	
B2619-(8M)V	392	1088	273					1480										1385	
B2619-(10M)V	432	1088	273					1520										1395	
B2619-(15M)V	502	1088	334					1590										1430	
B2619-(20M)V	546	1088	334	750	660	570	50	1634	360	8	39	10	170	300	40 x 22 x 300	M30	49	1450	
B2619-(25M)V	565	1088	382					1653										1520	
B2619-(30M)V	565	1088	382					1653										1520	
B2619-(40M)V	607	1088	382					1695										1535	
B2619-(50M)V	667	1088	420					1755										1570	
B2719-(8M)V	391	1349	273					1740										2520	
B2719-(10M)V	429	1349	273					1778										2530	
B2719-(15M)V	501	1349	334					1850										2570	
B2719-(20M)V	546	1349	334	1160	1020	900	60	1895	355	8	39	10	180	330	45 x 25 x 330	M30	52	2580	
B2719-(25M)V	566	1349	382					1915										2660	
B2719-(30M)V	566	1349	382					1915										2660	
B2719-(40M)V	601	1349	382					1950										2670	
B2719-(50M)V	661	1349	420					2010										2710	

A904-(2M)V	301	682	199					983										415
A904-(3M)V	331	682	225	580	520	455	35	1013	190	12	22	8	110	170	28 x 18 x 155	M20	34	425
A904-(5M)V	325	682	230					1007										435
A904-(8M)V	357	682	275					1039										450
A906-(8M)V	346	705	275					1051										475
A906-(10M)V	384	705	275	580	520	455	35	1089	190	12	22	8	110	170	28 x 18 x 155	M20	34	490
A906-(15M)V	462	705	316					1167										515
A916-(3M)V	331	805	225					1136										585
A916-(5M)V	335	805	230	650	590	520	40	1140	247	12	22	10	120	210	32 x 20 x 195	M24	42	595
A916-(8M)V	346	805	275					1151										610
A916-(10M)V	384	805	275					1189										625
A917-(10M)V	401	812	275					1213										650
A917-(15M)V	462	812	316	650	590	520	40	1274	247	12	22	10	120	210	32 x 20 x 195	M24	42	675
A917-(20M)V	506	812	316					1318										695
A928-(5M)V	337	1020	230					1357										1150
A928-(8M)V	363	1020	275					1383										1170
A928-(10M)V	401	1020	275	880	800	680	50	1421	252	12	33	10	140	250	35 x 22 x 230	M30	52	1190
A928-(15M)V	467	1020	316					1487										1210
A928-(20M)V	511	1020	316					1531										1230
A928-(30M)V	602	1020	364					1622										1300